

# Baseplate Arm Order Form

**Note: Replacement baseplate arms are available only in pairs. Also note that the arm you receive will be the same exact style as we originally manufactured for your kit.**

Fax completed form to 360-735-9300 or email to orders@roadmasterinc.com. Questions? Call 800-669-9690. If possible, please take a photo of one of the receiver tubes (see illustration B) and fax or email it with this form.

## baseplate owner information

Name \_\_\_\_\_  
 Telephone \_\_\_\_\_  
 Street Address \_\_\_\_\_  
 City/State/Zip \_\_\_\_\_  
 Email Address \_\_\_\_\_

## for dealer use only

Company \_\_\_\_\_ Contact \_\_\_\_\_  
 Telephone \_\_\_\_\_ PO# \_\_\_\_\_  
 Ship to Address \_\_\_\_\_  
 City/State/Zip \_\_\_\_\_  
 Email Address \_\_\_\_\_

1. Baseplate part number (from tag on baseplate — see illustration A):  
 \_\_\_\_\_

2. Date code (from tag on baseplate — see illustration A): \_\_\_\_\_

3. The year, make and model of your vehicle:

Year: \_\_\_\_\_ Make: \_\_\_\_\_ Model: \_\_\_\_\_

VIN (Vehicle Identification Number): \_\_\_\_\_

4. Is the receiver tube (see illustration B) round or square?

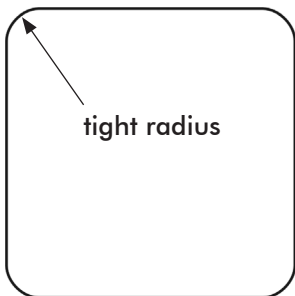
round  square

5. Measure the *inside* diameter of the receiver tube (whether round or square).

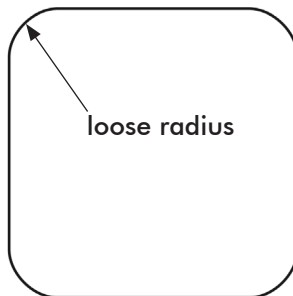
Measurement: \_\_\_\_\_

6. If the receiver tube is square, does it have a tight radius or a loose radius? (see illustration C)

tight radius  loose radius



**illustration C**  
square tube  
radiuses



7. If the receiver tube is square, measure from the center of the hitch pin hole (see illustration B) to the end of the receiver tube.

Measurement: \_\_\_\_\_

8. If the receiver tubes have padlock tabs (see illustration B), draw their location onto the illustration below. Do not draw the safety cable tabs.

*Note: padlock tabs have a 5/16-inch hole; safety cable tabs have a 5/8-inch hole.*



If  
round  
tube



driver's  
side



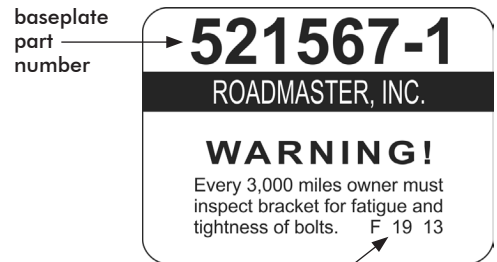
passenger  
side

If  
square  
tube



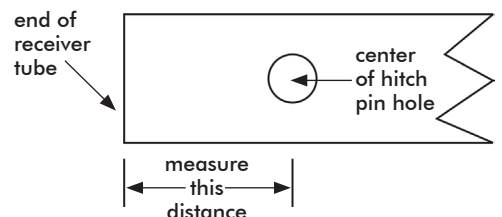
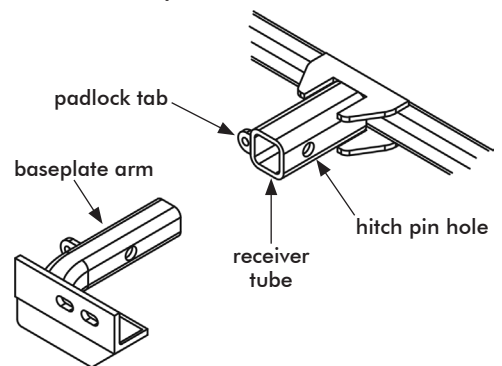
driver's  
side

**illustration A**  
baseplate tag



date code

**illustration B**  
baseplate nomenclature



9. Notes or additional information:

---

---

---

---

---

---

**IMPORTANT — PLEASE READ**

Due to manufacturing variances the replacement baseplate arms we produce may require additional modifications. These modifications are not covered under warranty.

If replacement baseplate arms are produced according to the specifications provided above, they are non-returnable.

**By my signature below** I acknowledge that I have read this notice and agree to the above conditions of sale.

Signature \_\_\_\_\_ Date \_\_\_\_\_

For Roadmaster use only Tracking number: _____
---