



Time Tested • Time Proven

855408-04 04.23

Motorhome charge line kit
part number 156-75

Installation instructions

All specifications are subject to change without notice.

ROADMASTER, Inc. 6110 NE 127th Ave. Vancouver, WA 98682 800-669-9690 Fax: 360-735-9300 roadmasterinc.com

CAUTION

Read all instructions before installing or operating this device. Failure to understand how to properly install or operate the charge line kit could result in extensive property damage.



This kit requires...

- ...a 6-wire (or a 6-wire to 7-wire) power cord between the two vehicles with matching sockets; and
- ...a charge line kit similar in function to this kit in the towed vehicle. If a charge line isn't already present in the towed vehicle, order part number 156-25, the towed vehicle charge line kit.

Installation instructions

1. Attach one end of the included length of red 12 gauge wire to the charge line pin (the number 4 pin in Figure 1) in the motorhome's power cord socket.

Apply a silicone sealant to the socket terminals where the wires are connected; make certain that all electrical connections in the socket are watertight.

WARNING

If the socket terminals aren't sealed, stray voltage may energize the turn signal wiring. This will, in turn, activate any devices controlled by the turn signal wiring. Roadmaster manufactures two supplemental braking systems (InvisiBrake and the 9700) which are so activated. Stray voltage may also cause inadvertent activation of any other device so activated. In the case of supplemental braking systems, severe brake system damage, loss of vehicular control and other consequential damage may occur.

2. Route the wire to the area of the positive battery terminal. Choose the shortest route that will avoid the possibility of a short circuit or other damage to the vehicle. The shorter the distance, the better the charge circuit will work.

Purpose

Once charge line kits are installed in both the motorhome and towed vehicle, they will help maintain the vehicle's battery charge while in tow, supplying up to 15 amps of current to the battery.

Required tools

- wire crimper
- side cutters
- volt meter or test light

Cover the wiring using the included split loom as needed to prevent contact with any engine components.

WARNING

Route all wiring to avoid moving parts, sharp edges, the fuel lines or hot components such as the engine or exhaust systems. Use the included wire ties to secure the wiring out of the way.

Wiring exposed by moving parts, sharp edges or hot components may cause a short circuit, which can result in damage to the vehicle's electrical system as well as other, consequential damage.

Wiring which is attached in close proximity to the fuel lines may ignite the fuel.

Failure to follow these instructions may cause property damage, personal injury or even death.

3. Find a suitable mounting location for the included circuit breaker – it must be mounted on a flat surface, within approximately 8" of the vehicle's battery (the closer the better), at a point where it will not interfere with the operation of any components.

Using the two included self-tapping screws, attach the circuit breaker.

4. Route the red 12 gauge wire to the circuit breaker and cut it. Strip ¼" of insulation from the end of the wire and crimp it onto one of the #10 ring terminals.

5. Attach the terminal to the silver post on the circuit breaker (identified as 'AUX') with one of the included nuts (Figure 2).

6. Attach one end of the remaining length of red 12 gauge wire to the gold post on the circuit breaker (identified as 'BAT') in the identical manner (Figure 2).

Route this wire to the positive post and cut to length.

WARNING

Install the circuit breaker no more than 8 inches from the dinghy vehicle's battery. Failure to do so could result in a fire and/or property damage.

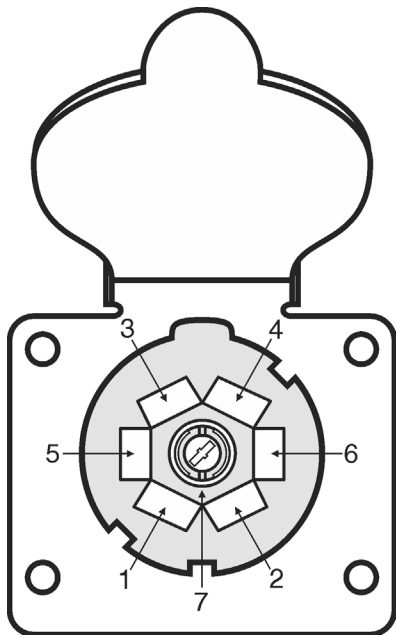
You may use the included 5/16" ring terminal to attach the wire. The vehicle's engine **MUST** be off when you attach it to the post.

7. Ensure that a good ground exists between the frame of the towing vehicle and the frame of the towed vehicle.

Note: To confirm that the charge line is functioning...

• With the motorhome engine running, connect a volt meter or test light from the number 4 pin in the motorhome socket to the motorhome ground.

• If the volt meter or test light indicates 12 VDC+, the charge line is functioning.



front of 7-wire socket

Figure 1

Socket Pin Number	Socket Code	Roadmaster wire code	Motorhome/ Towed Vehicle
1	White	White	Ground
2	Blue	Blue	Brake monitor light (electric trailer brakes)
3	Green	Brown	Taillights
4	Black	Black	Charge line
5	Red	Yellow	Left turn/stop
6	Brown	Green	Right turn/stop
7	Yellow	N/A*	Auxiliary/Access

* N/A designation means this socket is not used in this wiring configuration.

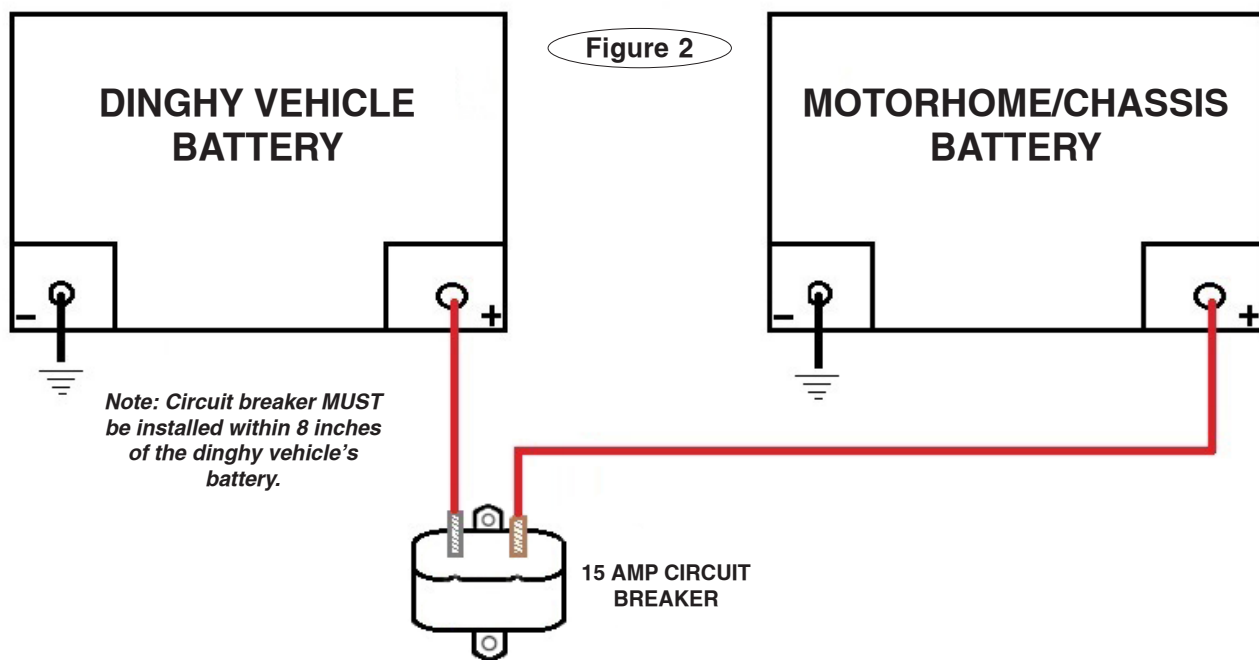
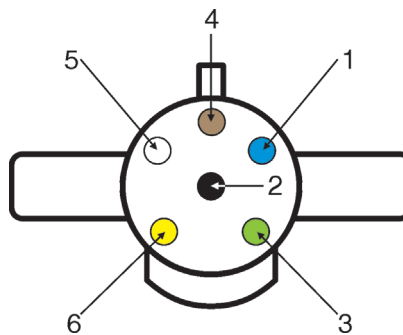


Figure 2

Figure 3

Socket Pin Number	Wire Color	Motorhome/ Towed Vehicle
1	Blue	Brake monitor light (electric trailer brakes)
2	Black	Auxiliary/Charge
3	Green	Right Turn/Stop
4	Brown	Taillights
5	White	Ground
6	Yellow	Left Turn/Stop



front of 6-wire plug