



Replacement quick-disconnects

part numbers 201, 221 and 222

Time Tested • Time Proven

Installation Instructions

85-1145-08 04-17

All specifications are subject to change without notice

ROADMASTER, Inc. 6110 NE 127th Ave Vancouver, WA 98682 800-669-9690 Fax 360-735-9300 www.roadmasterinc.com

Owners and installers must read the installation instructions and carefully note the warnings!

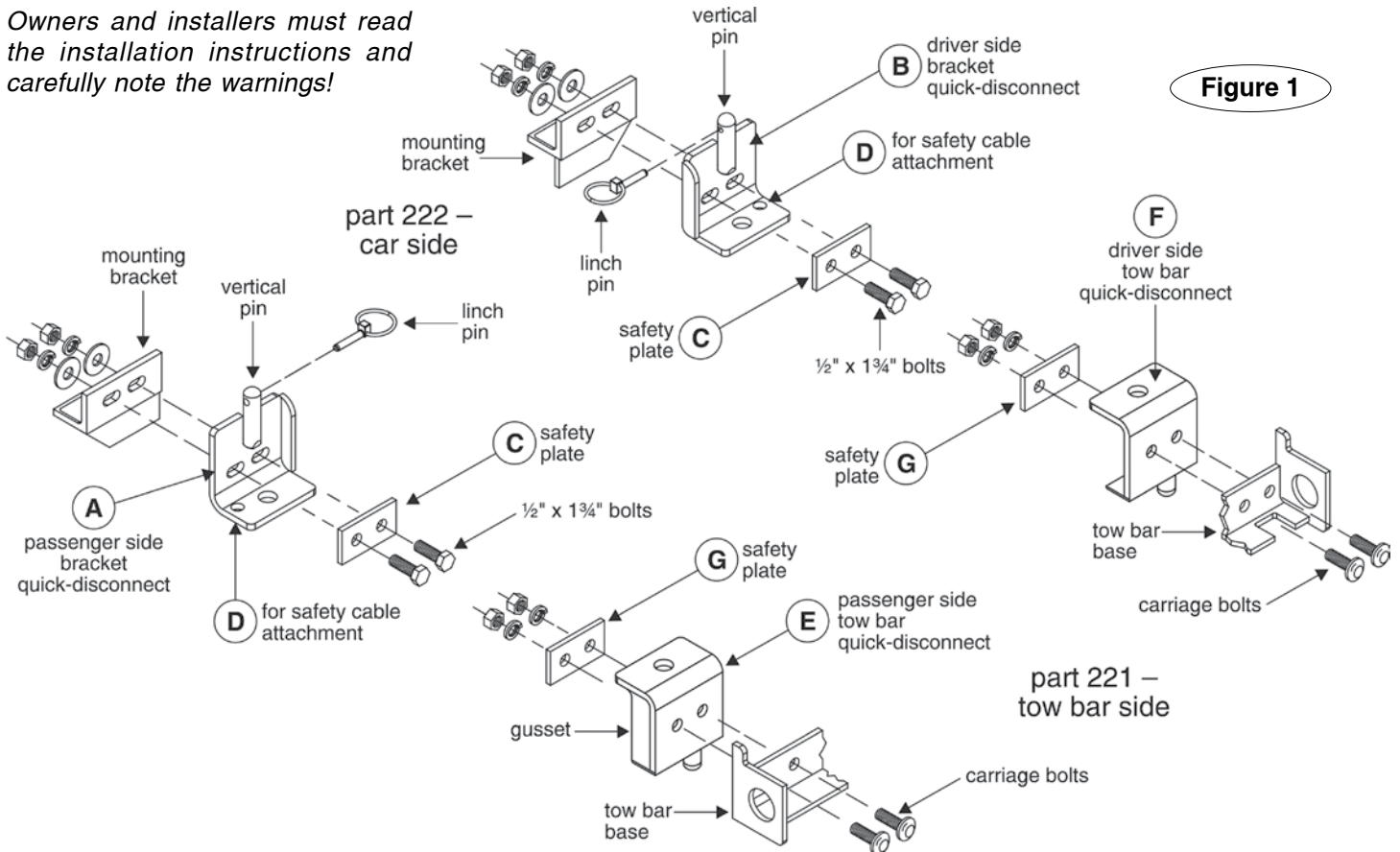


Figure 1

Note: these instructions are for a complete quick-disconnect set (part number 201). If you are replacing a half set (either part number 221 or 222), disregard the section which does not apply.

Part 222 (car side) installation instructions

1. First, attach the bracket quick-disconnects ("QDs," parts "A" and "B" in Figure 1) to the tow bar mounting brackets. Attach the QDs so that the vertical pin on each is pointing up, as shown in Figure 1.

Attach part "A" on the passenger side, and part "B" on the driver side. Use the supplied 1/2" x 1 3/4" bolts, the two safety plates (parts "C"), and the flat washers, lock washers and nuts, as shown in Figure 1.

Note that both bracket QDs have an extra hole – "D" in Figure 1 – for safety cable attachment. Mount parts "A" and "B" so that the "D" holes are to the outside.

Do not tighten any of the bolts – leave them loose for now – they will be tightened later.

WARNING

Use all mounting hardware and both safety plates. If all supplied materials are not used, the quick-disconnects, the tow bar base, or other components may vibrate loose, which may cause property damage, personal injury or even death.

2. Now, test-fit the tow bar – lower the tow bar (Figure 2) over the bracket quick-disconnects. The vertical pins at the top of both bracket QDs should fit through the top holes on the tow bar QDs (Figure 2), and the vertical pins at the bottom of the tow bar QDs should fit through the lower holes on the bracket QDs (Figure 2).

3. Both bracket quick-disconnects must be positioned so that the tow bar is centered to the front of the vehicle. If necessary, adjust the quick-disconnects by moving them to the left or the right, until the tow bar is centered to the front of the vehicle.

continued on next page

CAUTION

The quick-disconnects must be centered on the mounting brackets. If they are attached too far to the left or the right, the tow bar will not be centered on the towed vehicle, which will cause excessive tire wear and other consequential, non-warranty damage.

4. Once the tow bar slides on and off easily, torque the four $\frac{1}{2}$ " x $1\frac{3}{4}$ " bolts to 75 ft./lbs.

Again, test-fit the QD crossbar over the QDs, to verify that it slides on and off easily. If it does not, adjust the QDs again.

4. Before towing, insert both lynch pins through the upper holes in the vertical pins in parts "A" and "B," as shown in Figure 2. Both lynch pins must be locked. The rings (Figure 3) are spring-loaded – they must be snapped over the pin, with the pin touching the ring, in order to keep the QDs secure. If a pin does not touch the ring, rotate the pin around the ring.

WARNING

Towing vibrations will force the lynch pins out unless they are properly locked in place over the vertical pins on both quick-disconnects. Refer to Figure 3.

Failure to properly attach and lock both lynch pins will result in the loss of the towed vehicle, which may cause property damage, personal injury or even death.

Note: ROADMASTER recommends replacing at least one lynch pin with a padlock (part numbers 301, 302 and 303) to prevent accidental release or theft.

Part 221 (tow bar side) installation instructions

1. Remove the tow bar, leaving the carriage bolts in place on the tow bar.

Note: verify that the carriage bolts are in good working order. If the bolts are rusted, the threads are stripped or the bolts are otherwise not in good working order and you choose to replace them, use grade 5 bolts.

Position the tow bar quick-disconnects ("QDs," parts "E" and "F" in Figure 1) over the carriage bolts.

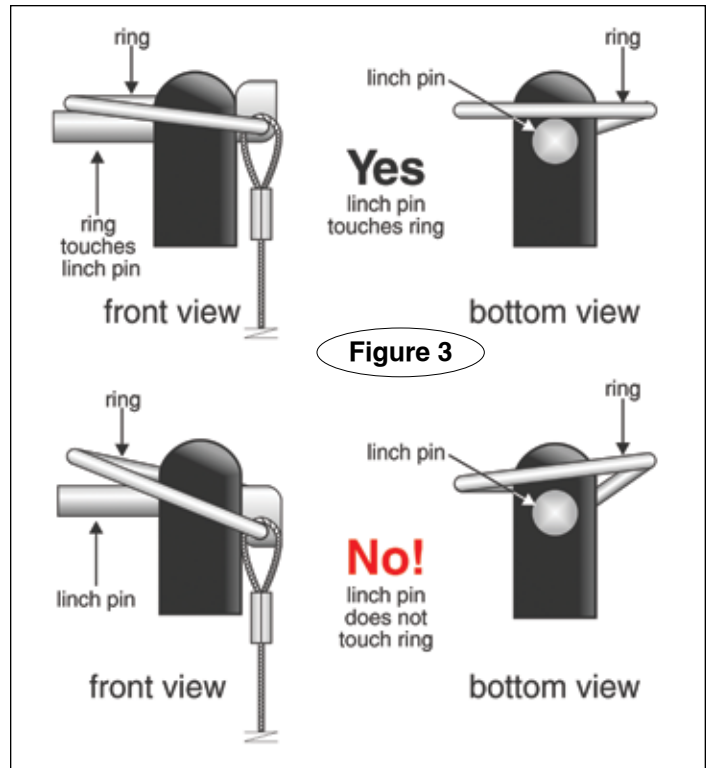
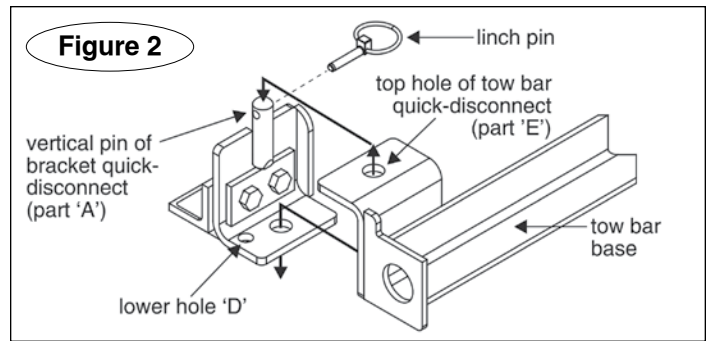
Make certain that "E" is on the passenger side and "F" is on the driver's side – when positioned correctly, the gusset (Figure 1) will be to the outside.

2. Next, position the safety plates ("G" in Figure 1) over the carriage bolts.

Note: it may be necessary to shift the end(s) of the carriage bolt(s) to align them to the slots in the safety plates. If this is the case, thread a nut onto the end of a carriage bolt, and gently tap the nut with a hammer. Do not hammer directly on the threads.

3. Attach the QDs with the lock washers and nuts, as shown in Figure 1.

Do not tighten any of the bolts – leave them loose for now.



WARNING

Use all mounting hardware and both safety plates. If all supplied materials are not used, the quick-disconnects, the tow bar base, or other components may vibrate loose, which may cause property damage, personal injury or even death.

4. Now, test-fit the tow bar – follow step 2 under "Part 222 (car side) installation instructions."

5. If the tow bar does not slide on and off easily, adjust the tow bar QDs by moving them to the left or the right.

Note: if the tow bar does not slide on and off easily after adjusting the tow bar QDs to their farthest extent, it will be necessary to disassemble the car side quick-disconnects. Adjust the car side quick-disconnects to 28½ inches, center to center. Then, follow step 3 under "Part 222 (car side) installation instructions."

6. Once the tow bar slides on and off easily, torque the four carriage bolts to 75 ft./lbs.

Again, test-fit the QD crossbar over the QDs, to verify that it slides on and off easily. If it does not, adjust the QDs again.