



Installation Instructions

Thank you for purchasing this anti-sway bar kit. Please read through these instructions before installation.

Front Anti-Sway Bar Kit for the Ford F550 for Super C and Truck

part #1139-208
1-3/4" diameter



INTRODUCTION

Thank you for purchasing this anti-sway bar kit. This kit is designed to improve the handling characteristics of your vehicle by reducing the body roll and balancing the weight transfer during cornering. The anti-sway bar kit is engineered for long life and trouble-free performance.

All the hardware needed for installation is included in this kit. Refer to the PARTS LIST in these instructions to identify the parts.

SUGGESTED TOOLS

The following tools are suggested to complete the installation procedures:

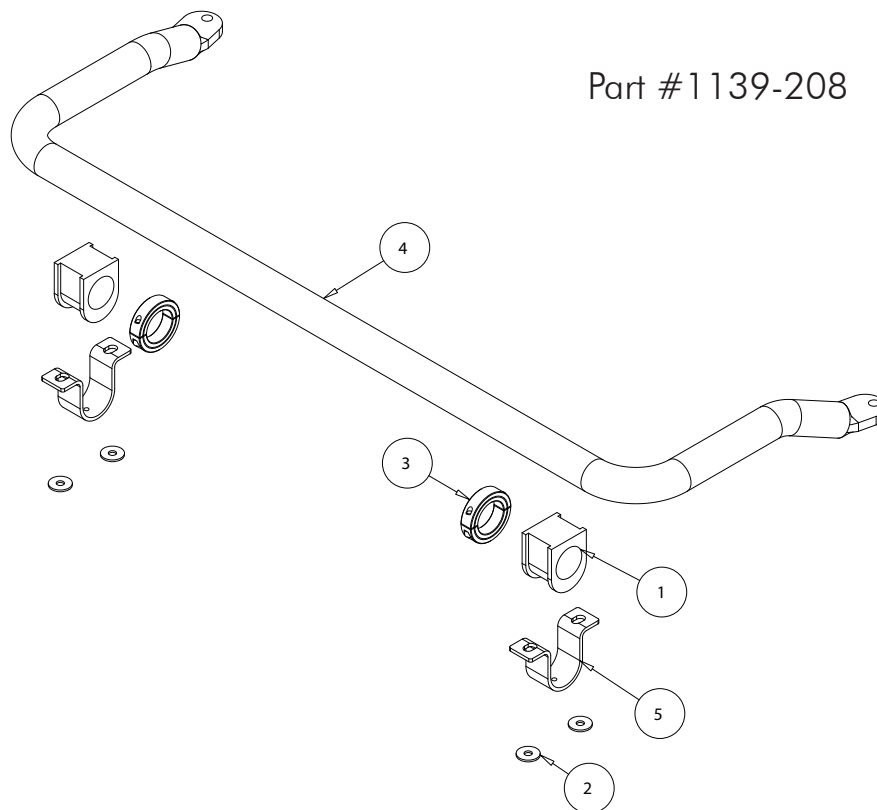
- Standard and metric hand tools
- Jack stands (2)

WARNING

Failure to follow these instructions can result in property damage, personal injury or even death.

- If raising the vehicle to install the anti-sway bar, always support the vehicle with jack stands at both frame rails or at the rear axle before working underneath. Ensure that the jack stands are securely positioned, and are rated at or above the weight of the vehicle.
- The installer must read the instructions and use all bolts and parts supplied. Use only the parts supplied by ROADMASTER to install this kit.
- Minor modifications are sometimes necessary due to slight vehicle variations, even for the same year, make and model.
- Regardless of year, make and model, a wide range of options for specific applications may or may not interfere with the installation. It is the installer's responsibility to make certain that equipment is not damaged once the suspension solution travels through the full range of motion. Failure to ensure adequate clearance could result in non-warranty property damage, personal injury or even death.
- If running changes were made by the manufacturer after this kit was designed, there may be weldments, braces, gussets, or other structural items which interfere with the installation. It is the installer's responsibility to allow for these running changes without sacrificing the structural integrity of the anti-sway bar. Failure to securely fasten the anti-sway bar could result in property damage, personal injury or even death.
- ROADMASTER will not be responsible for any damage or injury resulting from any modification or alteration.
- Check ALL the fasteners for tightness before and after road testing the vehicle.
- Do not use this document for custom fabrication, as it may not show all parts or structural components.
- Do not use an air impact wrench when re-installing bolts, as stripped threads may result.
- This anti-sway bar is only warranted for the original installation. Installing a used anti-sway bar on another vehicle is not recommended and will void the warranty.

PARTS LIST



ITEM	QTY	DESCRIPTION	PART NUMBER
1.....	2.....	BUSHING	205220-20
2.....	4.....	3/8" HARDENED WASHER	350304-80
3.....	2.....	SPLIT COLLAR	350530-75
4.....	1.....	ANTI-SWAY BAR.....	580588-00
5.....	2.....	BUSHING CLAMP.....	B140
6.....	1.....	AQUALUBE	400011-30

INSTALLATION

The following instructions must be followed in the order listed to ensure a proper installation and to preserve the ROADMASTER warranty.

1. Remove the factory anti-sway bar.

Loosen the endlink bolts and allow the anti-sway bar to hang by its center section. Remove the center section bushing clamps, by loosening the bolts that hold the saddle brackets to the frame. Lower the bar to the ground but leave the endlinks attached to the frame.

⚠ WARNING

Loosening the bushing clamp bolts will release the anti-sway bar. The anti-sway bar is heavy, and may cause property damage or personal injury if it falls on equipment, engine components or any part of your body. Ensure that the anti-sway bar is supported and that you are out of the way when removing the bolts. Failure to follow these instructions may cause property damage,

2. Prepare the new anti-sway bar for installation.

Use the provided lube to grease the inside of the 205222-10 poly bushings that fit around the anti-sway bar. Use the markings on the factory bar to determine the proper positioning of the bushings on the new bar (Fig.2).

3. Move the anti-sway bar under the vehicle.

4. Install the anti-sway bar.

Lift the anti-sway bar into place. Installing the bar is simply the reverse of removing it. Since the new anti-sway bar is heavier than the factory bar, it is always easier to install the anti-sway bar with two people. *Note: The tabs on the end of the anti-sway bar should face downward when the bar is properly installed.*

Leaving the bolts loose, attach the anti-sway bar to the frame using the B140 clamps and 10mm x 1.5 x 30mm bolts and 10mm flat washers (Figure 2). Then, swing the arms up and attach it to the endlinks using the factory endlink hardware (Figure 3). *Note: Use Loctite® on all nuts and bolts.*

continued on next page

Figure 1

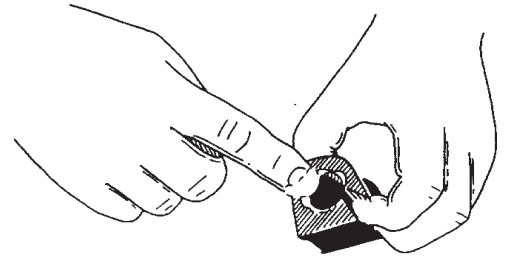


Figure 2



Figure 3



INSTALLATION

5. Center the anti-sway bar and tighten.

Make that the anti-sway bar is centered on the frame, then and then tighten the 10mm bolts on each bushing clamp.

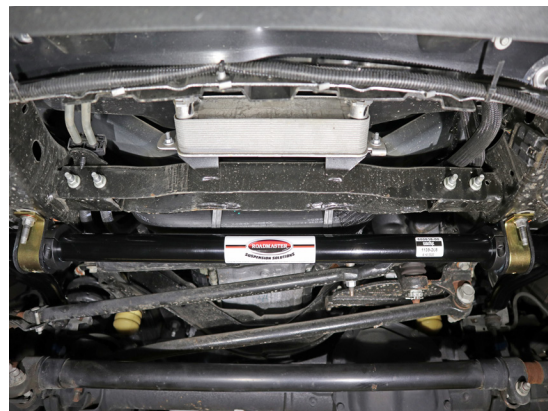
6. Install the split collars.

Place the split collars to the inside of the bushing clamps and secure them (Fig.4).

7. Test drive the vehicle.

Drive the vehicle and then carefully check all the fasteners for proper tightness.

Figure 4



! WARNING

After road testing, re-check all fasteners for proper tightness — if a fastener has worked loose or fallen off, re-tighten or replace it. Without all kit components properly tightened or in place, the anti-sway bar will not stabilize the vehicle at full capacity, which may cause reduced cornering ability or other reductions in vehicle handling or performance.

Failure to follow these instructions may result in property damage, personal injury or even death.

! WARNING

The anti-sway bar is not a load-bearing component

Do not tow or hoist the vehicle using the anti-sway bar or its mounting brackets as attachment points. The anti-sway bar is not designed to carry the weight of the vehicle and may collapse, which will damage the anti-sway bar components, the suspension, or other components. The vehicle will detach or fall, which may cause severe personal injury.

Failure to follow these instructions may result in property damage, personal injury or even death.