



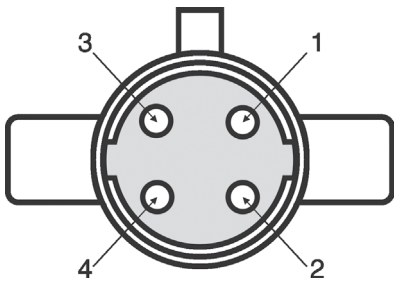
## Towing and Suspension Solutions

854959-02 05/25

All specifications are subject to change without notice

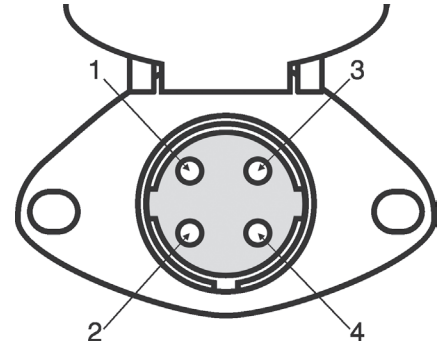
ROADMASTER, Inc. 6110 NE 127th Ave. Vancouver, WA 98682 800-669-9690 Fax: 360-735-9300 www.roadmasterinc.com

The plugs on ROADMASTER power cords have been wired to standard electrical codes. Before connecting the plugs, use a test light to verify that the motorhome and towed vehicle socket wiring matches the diagrams for the plugs  
**NOTE:** Apply a clear silicone sealant around each attachment point on the plug, as well as each wire entry and set screw indentation on the socket. This will help weatherproof the plug and socket and secure the socket set screws.

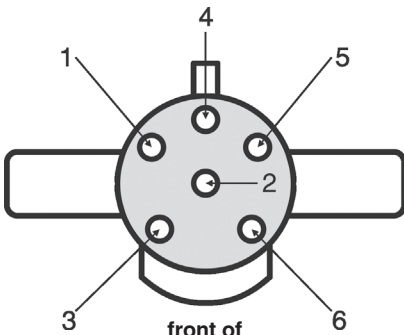


front of 4-wire plug

Socket Pin Number	Motorhome/ Towed Vehicle
1	Left turn/stop
2	Ground
3	Right turn/stop
4	Taillight

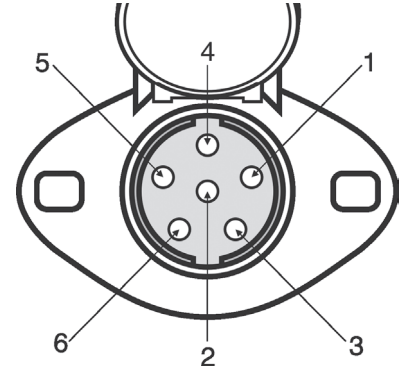


front of 4-wire socket

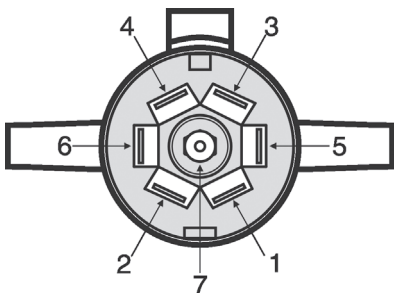


front of 6-wire plug

Socket Pin Number	Motorhome/ Towed Vehicle
1	Ground
2	Auxiliary
3	Left turn
4	Taillight
5	Brake light
6	Right turn

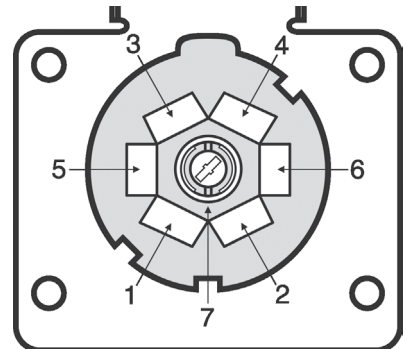


front of 6-wire socket



front of 7-wire plug

Socket Pin Number	Motorhome/ Towed Vehicle
1	Ground
2	Brake light (for separate-to-separate systems only)
3	Taillight
4	Charge line
5	Left turn
6	Right turn
7	Auxiliary



front of 7-wire socket