



1-800-669-9690

R O A D M A S T E R

MOUNTING BRACKET KIT INSTALLATION INSTRUCTIONS

ROADMASTER, INC.

5602 N.E. SKYPORT WAY

PORTLAND, OR 97218

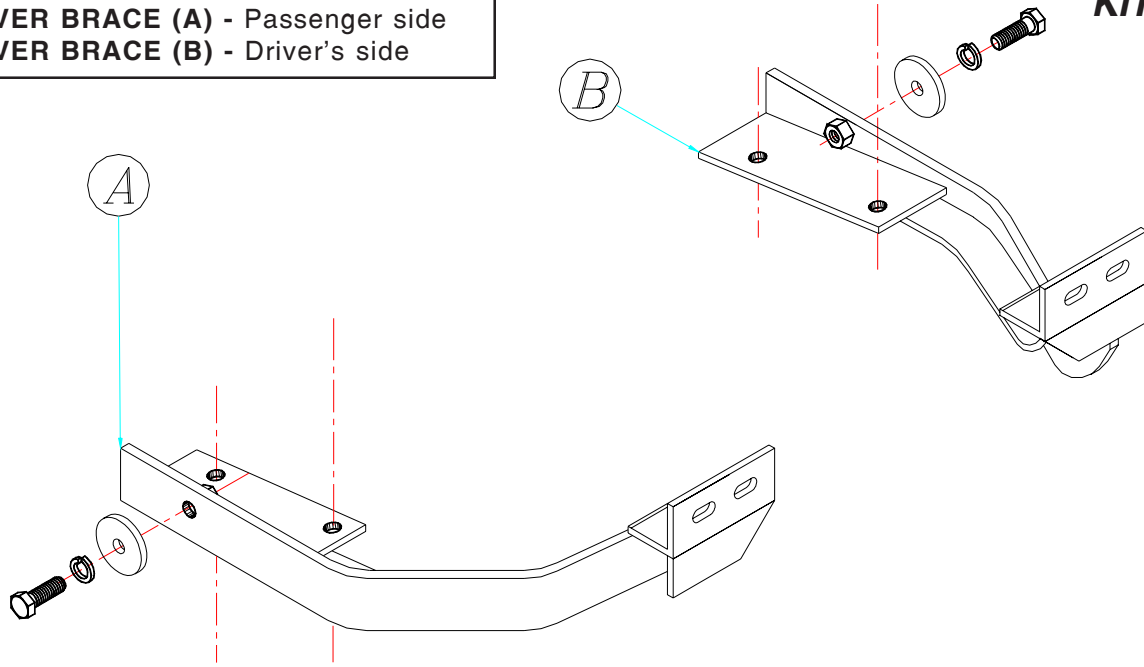
1-800-669-9690

FAX (503) 288-8900

PARTS LIST:

- 1- RECEIVER BRACE (A) - Passenger side
- 1- RECEIVER BRACE (B) - Driver's side

KIT NO. 231-1



R-110397

IMPORTANT: All brackets **must** be assembled with all the bolts left loose for final adjustment & positioning (before tightening) unless otherwise instructed. All bolts **must** be torqued for proper strength. If more than one bolt is used per fastening point, the diagram may only show one.

- Use flat washers over all slotted holes
- Use lock washers on all fasteners


ROADMASTER Limited Warranty, including One-Year Conditional Warranty Text and Product Registration Card, in Carton.

WARNING

- Do not use this document for custom fabrication as it may not show all parts or structural components.
- ROADMASTER will not be responsible for any damage or injury resulting from any modification or alteration.
- The owner must inspect all mounts and brackets before each use for cracks or other signs of fatigue. Also, inspect the fasteners for proper torque, according to the torque chart.
- The owner must check the manufacturer's instructions for the proper procedure(s) to prepare the vehicle for towing. Some vehicles must be equipped with a transmission lube pump, an axle disconnect, driveline disconnect or free-wheeling hubs before they can be towed. Failure to properly equip the vehicle will cause severe damage to the transmission.
- The installer must read the instructions and use all bolts and parts supplied.
- If the towed vehicle has been in an accident, it must be properly repaired before attaching the brackets. Do not install the brackets if any structural frame damage is found. Failure to repair the damage may result in loss of your towed vehicle.
- Some motorhome chassis have such a tight turning radius that you can damage your motorhome, towed vehicle or tow bar while turn-

ing sharply. Before getting on the road, test your turning radius in an empty parking lot. Damage that results from turning too sharply is not covered by warranty.

- The driver must not back up the motorhome with the towed vehicle attached or non-warranty damage will occur to your towing system or towed vehicle.
- The safety cables must connect the towing vehicle to the towed vehicle frame to frame, with the cables crossed. Refer to the cable instructions for proper routing.
- Make sure there is enough slack in the safety cables at the motorhome to allow for sharp turns.
- Use caution when handling the tow bar — if your hands, fingers or any part of your body are caught between moving components, they can be pinched, cut or otherwise injured.
- This bracket is designed for use with ROADMASTER tow bars and ROADMASTER adaptors. Using this bracket with other brands, without an approved ROADMASTER adaptor, may result in non-warranty damage or injury.
- Important! This bracket is only warranted for the original installation. Installing a used bracket on another vehicle is not recommended and will void the warranty.
- Upon final installation, the installer must inspect the bracket to ensure adequate clearance, particularly around hoses, AC lines, radiators, etc., or non-warranty damage will result.

 **WARNING** Failure to follow these instructions can result in property damage, personal injury or even death.

MOUNTING BRACKET KIT INSTALLATION INSTRUCTIONS

ROADMASTER, INC. 5602 N.E. SKYPORT WAY PORTLAND, OR 97218 1-800-669-9690 FAX (503) 288-

KIT NO. 231-1

CAUTION:
DO ONE SIDE AT A TIME! UNDER NO CIRCUMSTANCES SHOULD THE SUB-FRAME MOUNTING BOLTS BE TAKEN OUT OF BOTH SIDES AT THE SAME TIME.

1. Remove the large sub-frame mounting bolts from **ONE SIDE AT A TIME**.
2. Hold the brace (A or B) up to the bottom of the sub-frame and bolt it to the frame using the original factory bolts.
3. Bolt the side of the brace to the tie down bracket using a 1/2" x 1-1/2" bolt, plate washer, lock washer and through the weld-on nut in the brace. Be sure the plate washer is against the head of the bolt and inserted from the outer side of the tie down bracket and through the brace (A or B).

REPEAT THE ABOVE PROCEDURE ON THE OTHER SIDE

4. Now tighten the bolts according to the torque chart below and repeat Steps #1 thru #3 on the other side.
5. Mount the tow bar to the braces according to the instructions provided with the tow bar.
6. **Be sure to tighten ALL bolts according to the torque chart shown below.**

HARDWARE LIST:

- 2- 1/2" x 1-1/2" bolts
- 2- 1/2" plate washers
- 2- 1/2" lock washers

R-110397

CAUTION: Installer must read instructions and use all bolts and parts supplied.

FAILURE TO FOLLOW THESE INSTRUCTIONS CAN RESULT IN DEATH, PERSONAL INJURY OR PROPERTY DAMAGE

BOLT TORQUE REQUIREMENTS

Note: The torque values represented below are intended as general guidelines. Torque requirements for specific applications may vary. Roadmaster does not warrant this information to be accurate for all applications and disclaims all liability for any claims or damages which may result from its use.

STANDARD BOLTS			METRIC BOLTS			METRIC BOLTS		
Thread Size	Grade	Torque	Thread Size	Grade	Plated/Unplated	Thread Size	Grade	Plated/Unplated
5/16	5	13 ft./lb.	8mm-1.0	8.8	20 ft./lb. 18 ft./lb.	12mm-1.25	8.8	70 ft./lb. 65 ft./lb.
3/8	5	23 ft./lb.	8mm-1.25	8.8	19 ft./lb. 18 ft./lb.	12mm-1.5	8.8	66 ft./lb. 61 ft./lb.
7/16	5	37 ft./lb.	10mm-1.25	8.8	38 ft./lb. 36 ft./lb.	12mm-1.75	8.8	65 ft./lb. 60 ft./lb.
1/2	5	56 ft./lb.	10mm-1.5	8.8	37 ft./lb. 35 ft./lb.	14mm-2.0	8.8	104 ft./lb. 97 ft./lb.
5/8	5	150 ft./lb.						

All illustrations and specifications contained herein are based on the latest information available at the time of publication approval. ROADMASTER, INC. reserves the right to make changes at any time without notice in material, specification and models or to discontinue models.