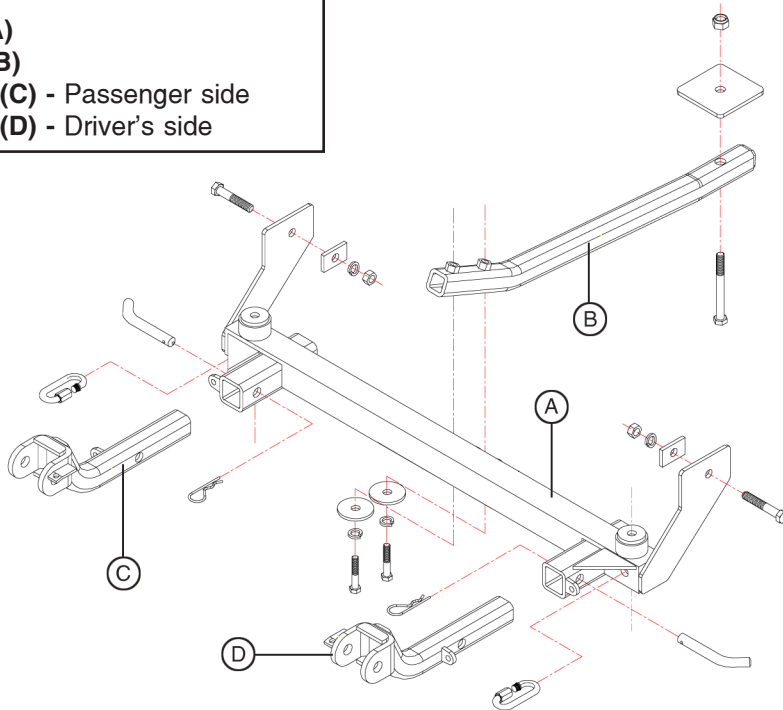


# BASEPLATE KIT INSTALLATION INSTRUCTIONS

ROADMASTER, Inc. 6110 NE 127th Ave. Vancouver, WA 98682 360-896-0407 fax 360-735-9300 www.roadmasterinc.com

## PARTS LIST:

- 1- MAIN BRACE (A)
- 1- REAR BRACE (B)
- 1- FRONT BRACE (C) - Passenger side
- 1- FRONT BRACE (D) - Driver's side



**KIT NO.3106-3**

### Important

Note: this bracket will not accommodate the Guardian rock shield, some models of the Tow Defender, Stowaway or the StowMaster and StowMaster All Terrain tow bars.

7-12-00

**IMPORTANT:** All baseplates **must** be assembled with all the bolts left loose for final adjustment and positioning (before tightening) unless otherwise instructed. All bolts **must** be torqued for proper strength. If more than one bolt is used per fastening point, the diagram may only show one. Use flat washers over all slotted holes and lock washers on all fasteners.

## WARNING

Failure to heed these warnings or follow the installation instructions may result in a voided warranty, loss of towed vehicle, personal injury or death.

- Do not weld or modify this baseplate or its components. Welding or modification will void the warranty.
- Do not use this document as a basis to design/fabricate a baseplate, as it may not show all parts or structural components.
- We strongly recommend professional installation.
- If the towed vehicle has been in an accident, it must be properly repaired before attaching the baseplate. Do not install the baseplate if any structural frame damage is found.
- The installer must use all bolts and parts supplied. If running changes were made by the vehicle manufacturer after this kit was designed, some bolts or other fasteners may no longer be the correct size. It is the installer's responsibility to verify this kit is securely fastened to the vehicle.
- Use Loctite® Red on all bolts used to secure this baseplate. Torque all bolts to the specifications found at the end of these instructions. Do not over-torque the bolts or failure may occur.
- The installer must inspect the baseplate to ensure adequate clearance, particularly around hoses, air conditioner lines, radiators, etc. or non-warranty failure may result.
- Roadmaster manufactures many styles of baseplates. If your baseplate has removable arms, they must be removed before driving the vehicle, unless the arms can be pinned or padlocked in place. If not secured, the arms could vibrate out.
- Some motorhome chassis have such a tight turning radius that you can damage your motorhome, towed vehicle, tow bar or baseplate while turning sharply. Before getting on the road, test your turning radius in an empty parking lot. Turning too sharply could result in non-warranty damage to your towing system, motorhome and/or towed vehicle.
- Do not back up with the towed vehicle attached or non-warranty damage will occur to your towing system or vehicles.
- The safety cables must connect the towing vehicle to the towed vehicle frame to frame, with the cables crossed, with enough slack for sharp turns. See cable instructions for proper routing. Failure to do so will result in non-warranty damage and/or the loss of the towed vehicle.
- This kit is designed for use with ROADMASTER tow bars and ROADMASTER adapters only. Using this kit with other brands, without an approved ROADMASTER adapter, may result in non-warranty damage or injury.
- Receiver extensions and out-of-level towing situations of 3 inches or more. This can cause the system to swing much higher and lower, causing excessive strain on the tow bar, baseplate and frame. That can cause the towing system to fail, causing property damage, personal injury or even death. If you must use a receiver extension or drop hitch to tow, it will reduce your receiver's weight capacity by 1/3 to avoid damaging your system. Never use more than one extension and/or drop hitch, as this will void your warranty.
- Every 3,000 miles, the owner must inspect all mounting points for cracks or fatigue, and check the fasteners for proper torque, according to the bolt torque requirements chart on the last page of these instructions.
- The owner must follow the vehicle manufacturer's instructions to prepare the vehicle for towing. Failure to do so may cause severe damage to the vehicle.
- This baseplate is only warranted for the original installation. Installing a used baseplate on another vehicle is not recommended and will void the warranty.

# BASEPLATE KIT INSTALLATION INSTRUCTIONS

ROADMASTER, Inc. 6110 NE 127th Ave. Vancouver, WA 98682 360-896-0407 fax 360-735-9300 www.roadmasterinc.com

**KIT NO. 3106-3**

1. **Important:** please use all supplied bolts and parts and read all instructions carefully before beginning this installation. The majority of questions you may have can be answered within the text, and proper installation will ensure safe and secure travel. Now, begin the installation. This bracket kit is one of our XL series, which is designed to be partly removable. The kit consists of the main receiver brace, two front braces, rear brace and a hardware pack. The main receiver brace mounts over the front bumper brackets on each side behind the front bumper and the sway bar mounts. The rear brace bolts to the back of the receiver brace and then to the suspension subframe. The front braces then insert into the receiver brace under the front bumper. Start by laying the kit out according to the illustration. This will give you a visual idea of how the kit installs and also confirm that the kit components are present and accounted for. Remove the lower plastic air deflector (six 10mm head bolts) from below the bumper and set aside.
2. Working on one side only, remove the large bumper bolt (21mm head) located under the frame behind the bumper. *Note:* retain the bumper by putting a small 2½" x 3/8" bolt through the top retaining nut and bumper. Do not remove both large bumper bolts at the same time, the bumper will fall off. Once you have a temporary retainer bolt installed on one side, remove the bumper bolt on the other side and do the same thing.
3. Hold the main receiver brace to the bottom of the frame and bolt through the front mounting holes with the bumper bolts you just removed. Replace the large bumper bolts one at a time, removing the retainer bolts as you go.
4. Now, bolt through the rear mounting holes and the corresponding frame holes at the same time with ½" x 5" bolts, ¼" x 1¼" x 2" backing plates, lock washers and nuts.
5. Attach the front of the rear brace to the main receiver brace with two ½" x 2¼" bolts and lock washers.
6. Bolt through the rear of the brace and the large suspension subframe as illustrated with a 5/8" x 6" bolt, 3/8" x 4" sq. backing plate and lock nut.
7. Torque the 5/8" bolt to 150-ft/lb. and the rest of the bolts to the specifications below.
8. Insert the front braces into the receiver brace and secure with 5/8" draw pins and 3/16" spring pins.
9. At this time you can trim the air deflector removed in step 1 and reinstall it.
10. Install the tow bar according to the manufacturer's instructions.
11. Attach the safety cables to the main receiver brace.

## Hardware

2- ½" x 2-1/4" bolts	1- 5/8" lock nuts
2- ½" x 5" bolts	2- 5/8" draw pins
4- ½" lock washers	2- 3/16" spring pins
2- ½" nuts	2- cable connectors
2- ¼" x 1 ¼" x 2" backing plates	2- 1/2" plate washers
1- 5/8" x 6" bolts	1- 1/4" x 4" x 4" backing plate

**7-12-00**

### BOLT TORQUE REQUIREMENTS

Note: The torque values represented below are intended as general guidelines. Torque requirements for specific applications may vary. Roadmaster does not warrant this information to be accurate for all applications and disclaims all liability for any claims or damages which may result from its use.

STANDARD BOLTS			METRIC BOLTS			METRIC BOLTS		
Thread Size	Grade	Torque	Thread Size	Grade	Plated / Unplated	Thread Size	Grade	Plated / Unplated
5/16.....	5.....	13 ft./lb.	8mm-1.0.....	8.8.....	20 ft./lb. 18 ft./lb.	12mm-1.25.....	8.8.....	70 ft./lb. 65 ft./lb.
3/8.....	5.....	23 ft./lb.	8mm-1.25.....	8.8.....	19 ft./lb. 18 ft./lb.	12mm-1.5.....	8.8.....	66 ft./lb. 61 ft./lb.
7/16.....	5.....	37 ft./lb.	10mm-1.25.....	8.8.....	38 ft./lb. 36 ft./lb.	12mm-1.75.....	8.8.....	65 ft./lb. 60 ft./lb.
1/2.....	5.....	56 ft./lb.	10mm-1.5.....	8.8.....	37 ft./lb. 35 ft./lb.	14mm-2.0.....	8.8.....	104 ft./lb. 97 ft./lb.
5/8.....	5.....	150 ft./lb.						

All illustrations and specifications contained herein are based on the latest information available at the time of publication approval.  
ROADMASTER, INC. reserves the right to make changes at any time without notice in material, specification and models or to discontinue models.