

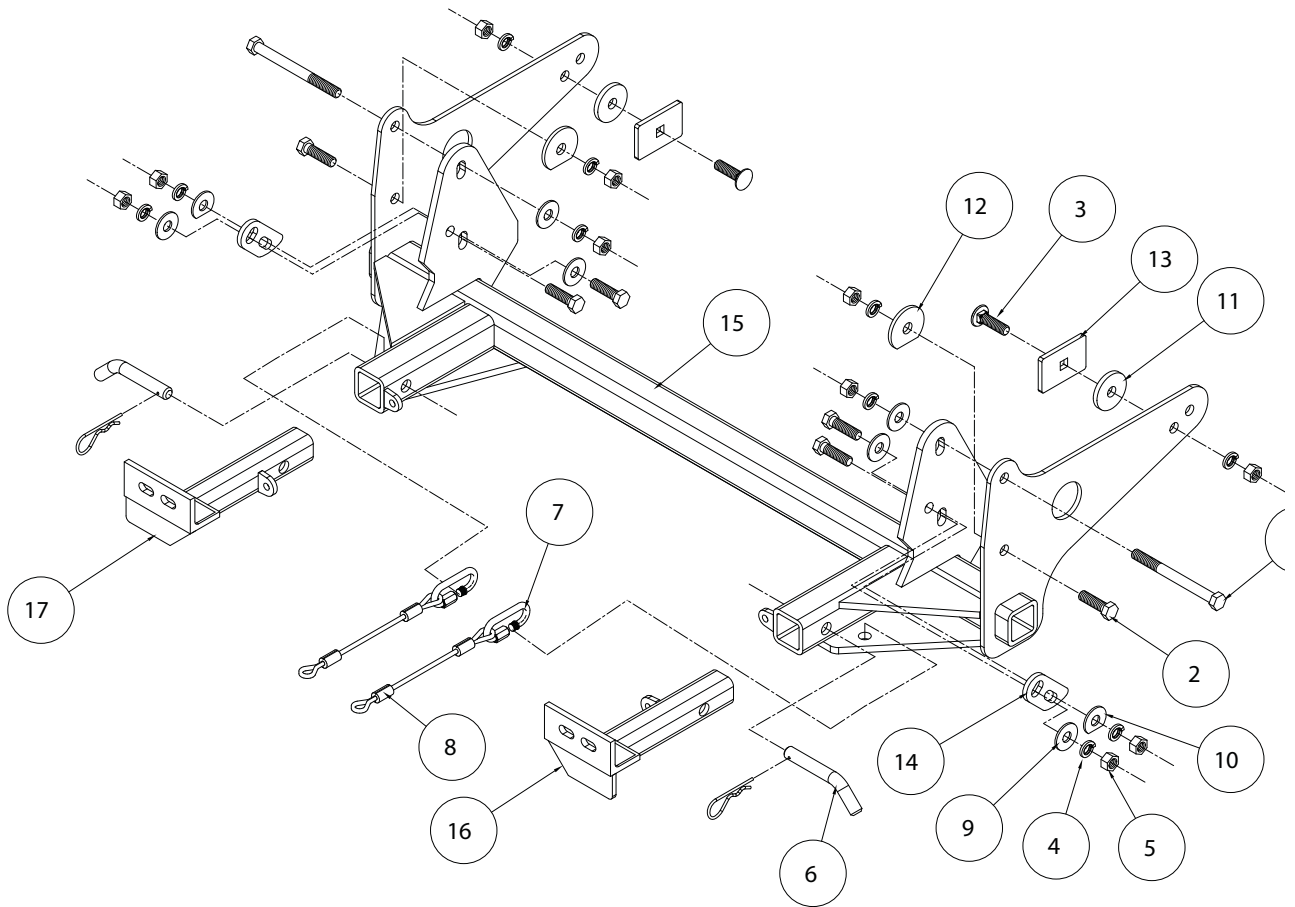


BASEPLATE KIT INSTALLATION INSTRUCTIONS

KIT# 446-10

02/21/13
KS

ROADMASTER, Inc. 6110 NE 127th Ave. Vancouver, WA 98682 360-896-0407 fax 360-735-9300 www.roadmasterinc.com



ITEM	QTY	NAME	MATERIAL
1	2	1/2" x 5 1/2" BOLT	350108-00
2	6	1/2" x 1 3/4" BOLT	350096-00
3	2	1/2" x 1 3/4" CARRIAGE BOLT	350363-00
4	10	1/2" LOCK WASHER	350309-00
5	10	1/2" HEX NUT	350258-00
6	2	DRAW PIN W/ CLIP	357035-00
7	2	QUICK LINK	200008-00
8	2	SAFETY CABLE 12"	650648-12
9	6	1/2" FLAT WASHER	350308-00
10	2	1/2" CLIPPED FLAT WASHER	A-000893
11	2	1/2" PLATE x 2" x 2"	A-000574
12	2	1/2" CLIPPED PLATE WASHER	A-002687
13	2	1/4" PLATE x 2" x 3"	A-000050
14	2	1/4" PLATE x 1 1/2" x 3 1/8"	A-000572
15	1	MAIN RECEIVER	C-000297
16	1	DRIVER SIDE ARM	C-001776
17	1	PASSENGER SIDE ARM	C-001777



BASEPLATE KIT INSTALLATION INSTRUCTIONS

KIT# 446-10

02/21/13
KS

ROADMASTER, Inc. 6110 NE 127th Ave. Vancouver, WA 98682 360-896-0407 fax 360-735-9300 www.roadmasterinc.com

This bracket kit is one of our XL series, which allows the visible front portion of the brackets to be easily removed (Fig.A and Fig.B). The kit consists of the main receiver brace, removable front braces and a hardware pack.

The main receiver brace mounts to the front frame on each side. The removable front braces insert into the receivers on each side and are secured with draw pins.

Before starting the installation, lay out the kit components in order, as they will be used. This will give you a visual idea of how the components work, and will also confirm that everything is present and accounted for.



Fig.A



Fig.B

IMPORTANT: All baseplates **must** be assembled with all the bolts left loose for final adjustment and positioning (before tightening) unless otherwise instructed. All bolts **must** be torqued for proper strength. If more than one bolt is used per fastening point, the diagram may only show one. Use flat washers over all slotted holes and lock washers on all fasteners.

WARNING

Failure to heed these warnings or follow the installation instructions may result in a voided warranty, loss of towed vehicle, personal injury or death.

- Do not weld or modify this baseplate or its components. Welding or modification will void the warranty.
- Do not use this document as a basis to design/fabricate a baseplate, as it may not show all parts or structural components.
- We strongly recommend professional installation.
- If the towed vehicle has been in an accident, it must be properly repaired before attaching the baseplate. Do not install the baseplate if any structural frame damage is found.
- The installer must use all bolts and parts supplied. If running changes were made by the vehicle manufacturer after this kit was designed, some bolts or other fasteners may no longer be the correct size. It is the installer's responsibility to verify this kit is securely fastened to the vehicle.
- Use Loctite® Red on all bolts used to secure this baseplate. Torque all bolts to the specifications found at the end of these instructions. Do not over-torque the bolts or failure may occur.
- The installer must inspect the baseplate to ensure adequate clearance, particularly around hoses, air conditioner lines, radiators, etc. or non-warranty failure may result.
- Roadmaster manufactures many styles of baseplates. If your baseplate has removable arms, they must be removed before driving the vehicle, unless the arms can be pinned or padlocked in place. If not secured, the arms could vibrate out.
- Some motorhome chassis have such a tight turning radius that you can damage your motorhome, towed vehicle, tow bar or baseplate while turning sharply. Before getting on the road, test your turning radius in an empty parking lot. Turning too sharply could result in non-warranty damage to your towing system, motorhome and/or towed vehicle.
- Do not back up with the towed vehicle attached or non-warranty damage will occur to your towing system or vehicles.
- The safety cables must connect the towing vehicle to the towed vehicle frame to frame, with the cables crossed, with enough slack for sharp turns. See cable instructions for proper routing. Failure to do so will result in non-warranty damage and/or the loss of the towed vehicle.
- This kit is designed for use with ROADMASTER tow bars and ROADMASTER adapters only. Using this kit with other brands, without an approved ROADMASTER adapter, may result in non-warranty damage or injury.
- Receiver extensions and out-of-level towing situations of 3 inches or more. This can cause the system to swing much higher and lower, causing excessive strain on the tow bar, baseplate and frame. That can cause the towing system to fail, causing property damage, personal injury or even death. If you must use a receiver extension or drop hitch to tow, it will reduce your receiver's weight capacity by 1/3 to avoid damaging your system. Never use more than one extension and/or drop hitch, as this will void your warranty.
- Every 3,000 miles, the owner must inspect all mounting points for cracks or fatigue, and check the fasteners for proper torque, according to the bolt torque requirements chart on the last page of these instructions.
- The owner must follow the vehicle manufacturer's instructions to prepare the vehicle for towing. Failure to do so may cause severe damage to the vehicle.
- This baseplate is only warranted for the original installation. Installing a used baseplate on another vehicle is not recommended and will void the warranty.



BASEPLATE KIT INSTALLATION INSTRUCTIONS

KIT# 446-10

02/21/13
KS

ROADMASTER, Inc. 6110 NE 127th Ave. Vancouver, WA 98682 360-896-0407 fax 360-735-9300 www.roadmasterinc.com



1. **Important:** please use all supplied bolts and parts and read all instructions carefully before beginning this installation. The majority of questions you may have can be answered within the text, and proper installation will ensure safe and secure travel. Now, begin the installation by removing four 8mm (head) bolts attaching the center splash shield to the fascia and radiator support (Fig.C). *Note:* the splash shield will not be replaced. Retain the splash shield and attachment hardware so they can be replaced if the bracket is ever removed.

2. On each side, remove the air deflector by removing two plastic fasteners (Fig.D). *Note:* the air deflectors will not be replaced. Retain the air deflectors and attachment hardware so they can be replaced if the bracket is ever removed.



3. On each side, remove two 20mm nuts attaching the bumper to the end of the frame rail (Fig.E). *Note:* you can use a 13/16" socket to accomplish this. Pull out and forward to remove the fascia.

4. Lift the bracket over the ends of the frame rail. On each side, using one of the supplied 1/2" x 5 1/2" bolts, bolt through the top mounting point in the main receiver brace and through the diamond-shaped holes in the top of the frame rail (Fig.F) and finish with a flat washer, lock washer and nut (Fig.G).





BASEPLATE KIT INSTALLATION INSTRUCTIONS

KIT# 446-10

02/21/13
KS

ROADMASTER, Inc. 6110 NE 127th Ave. Vancouver, WA 98682 360-896-0407 fax 360-735-9300 www.roadmasterinc.com

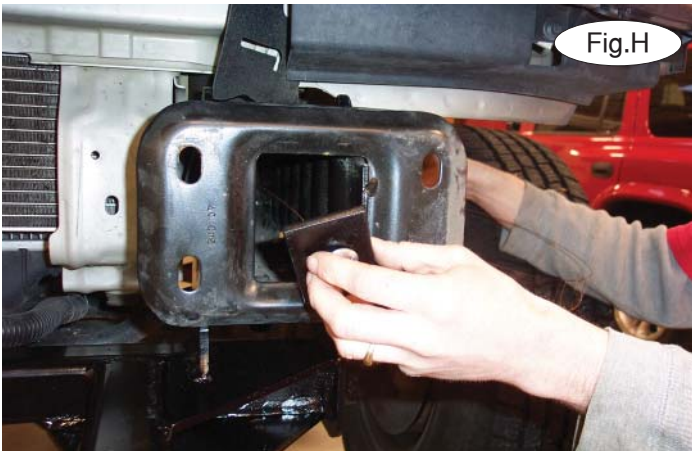


Fig.H

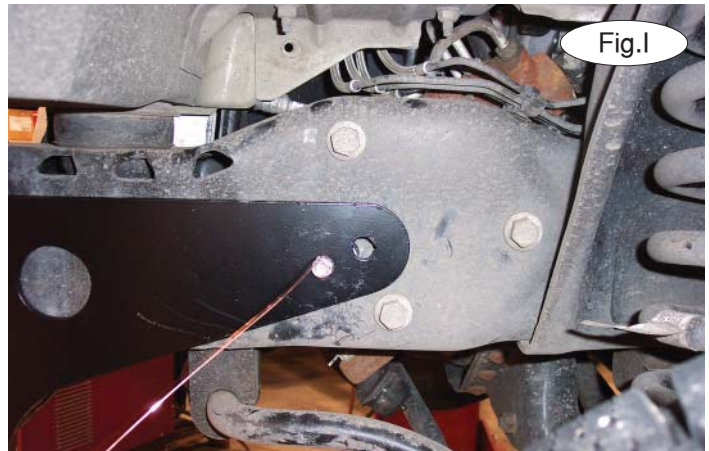


Fig.I

5. Starting on the driver's side, place a $\frac{1}{2}$ " x $1\frac{3}{4}$ " carriage bolt through a 2" x 3" square-hole backing plate. Fish wire the assembly through the opening in the frame (Fig.H), through a supplied $\frac{3}{8}$ " spacer and through the first hole in the rear of the side plate (Fig.I). *Note:* the rear hole is for another application.

Finish with a $\frac{1}{2}$ " lock washer and nut (Fig.J) and repeat the process for the passenger side.



Fig.J



Fig.K

6. Make certain that the bracket is level (Fig.J) and then torque the bolts to the bolt torque requirements found at the end of this document.

7. Starting on the driver's side, and using the pre-existing holes in the main receiver brace as templates, drill through the outside of the frame rail (Fig.K). On the inside of the frame rail, drill through the upper hole in the frame rail. *Note:* the lower inside hole may need to be enlarged (Fig.L).

Repeat the process for the passenger side.



Fig.L

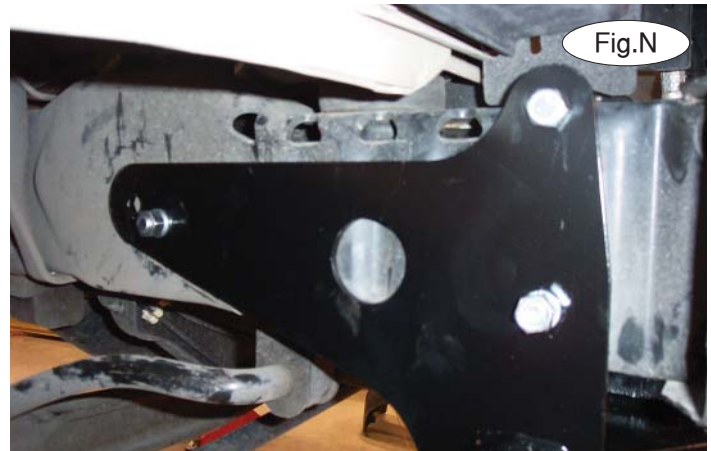


BASEPLATE KIT INSTALLATION INSTRUCTIONS

KIT# 446-10

02/21/13
KS

ROADMASTER, Inc. 6110 NE 127th Ave. Vancouver, WA 98682 360-896-0407 fax 360-735-9300 www.roadmasterinc.com



8. Starting on the passenger side, place a $\frac{1}{2}$ " clipped plate washer over a $\frac{1}{2}$ " x $1\frac{3}{4}$ " bolt. Place the assembly inside the end of the frame rail (Fig.M) and bolt through the frame rail and the lower outside hole. Finish with a $\frac{1}{2}$ " lock washer and nut (Fig.N). Repeat the process for the driver's side.



9. Place a $\frac{1}{2}$ " x $1\frac{3}{4}$ " bolt in the upper hole on the inside of the frame rail. Place a two-holed backing plate over a $\frac{1}{2}$ " bolt with the angled side facing down. Place a $\frac{1}{2}$ " lock washer over it and finish with a $\frac{1}{2}$ " lock washer and nut (Fig.O).

Place a $\frac{1}{2}$ " flat washer over a $\frac{1}{2}$ " x $1\frac{3}{4}$ " bolt and place it through the main receiver brace and into the frame rail through the slotted lower hole. Finish with a $\frac{1}{2}$ " flat washer, lock washer and nut (Fig.P).

10. Tighten the bolts to the bolt torque requirements found at the end of this document.

11. Trim the fascia, using the red lines in Figure Q as a guide for trimming.

12. Reassemble the fascia, reversing steps 1 through 4.





BASEPLATE KIT INSTALLATION INSTRUCTIONS

KIT# 446-10

02/21/13
KS

ROADMASTER, Inc. 6110 NE 127th Ave. Vancouver, WA 98682 360-896-0407 fax 360-735-9300 www.roadmasterinc.com

- 13. Insert the removable front bracket arms into the front receiver braces, and secure them in place with the supplied 5/8" draw pins and spring pins.
- 14. Attach the 12" safety cables with the cable connectors (Q-Links) to the front of the receiver braces (Fig.R).
- 15. Attach the ends of the safety cables to the tow vehicle's safety cables.
- 16. Install the tow bar to the mounting bracket according to the manufacturer's instructions.



BOLT TORQUE REQUIREMENTS

Note: The torque values represented below are intended as general guidelines. Torque requirements for specific applications may vary. Roadmaster does not warrant this information to be accurate for all applications and disclaims all liability for any claims or damages which may result from its use.

STANDARD BOLTS

Thread Size	Grade	Torque
5/16.....	5.....	13 ft./lb.
3/8.....	5.....	23 ft./lb.
7/16.....	5.....	37 ft./lb.
1/2.....	5.....	56 ft./lb.
5/8.....	5.....	150 ft./lb.

METRIC BOLTS

Thread Size	Grade	Plated / Unplated
8mm-1.0	8.8	20 ft./lb. 18 ft./lb.
8mm-1.25	8.8	19 ft./lb. 18 ft./lb.
10mm-1.25	8.8	38 ft./lb. 36 ft./lb.
10mm-1.5	8.8	37 ft./lb. 35 ft./lb.

METRIC BOLTS

Thread Size	Grade	Plated / Unplated
12mm-1.25	8.8	70 ft./lb. 65 ft./lb.
12mm-1.5	8.8	66 ft./lb. 61 ft./lb.
12mm-1.75	8.8	65 ft./lb. 60 ft./lb.
14mm-2.0	8.8	104 ft./lb. 97 ft./lb.

All illustrations and specifications contained herein are based on the latest information available at the time of publication approval. ROADMASTER, INC. reserves the right to make changes at any time without notice in material, specification and models or to discontinue models.