

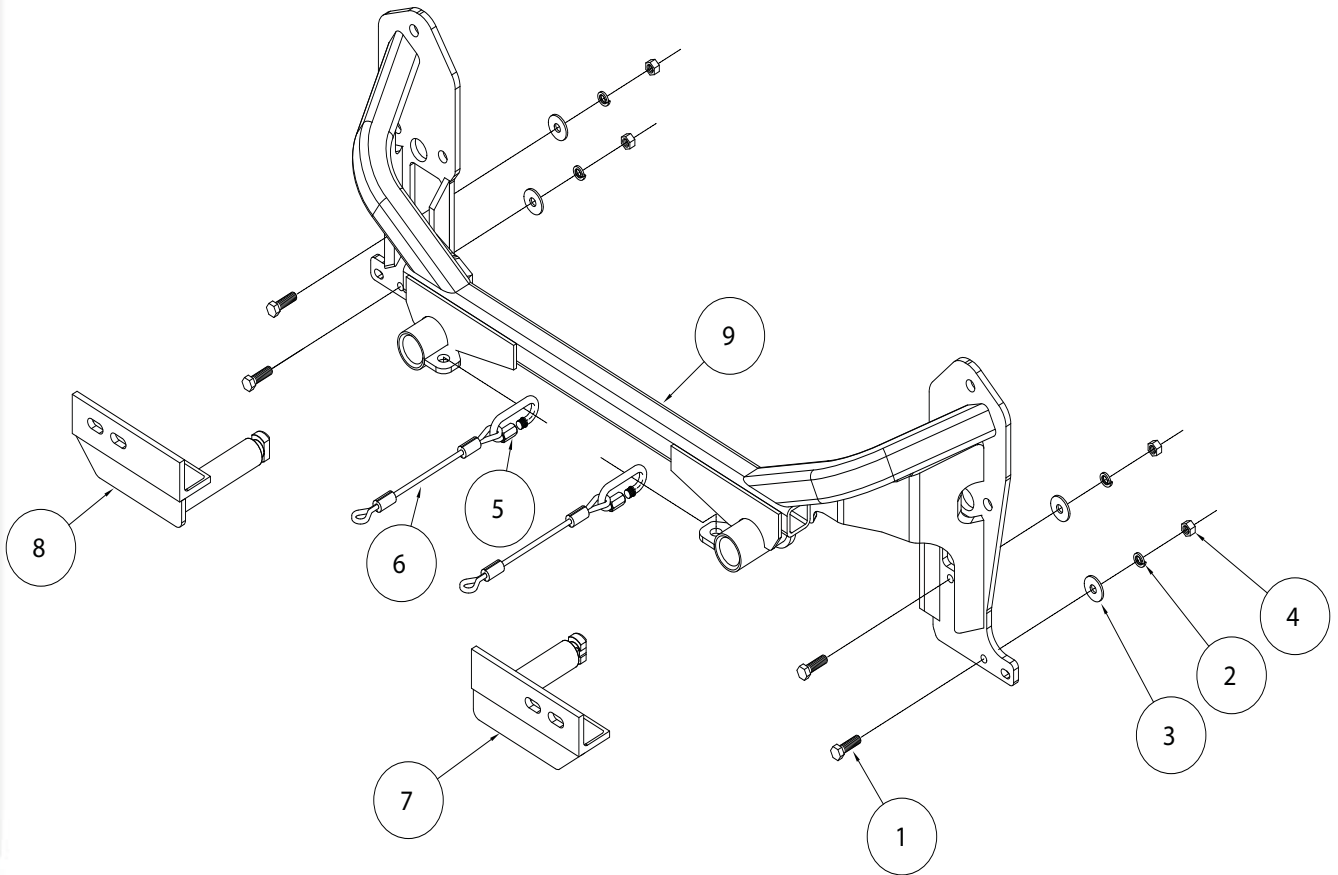


# MOUNTING BRACKET KIT INSTALLATION INSTRUCTIONS

**KIT# 521879-1**

02/20/13  
KS

ROADMASTER, Inc. 6110 NE 127th Ave. Vancouver, WA 98682 360-896-0407 fax 360-735-9300 www.roadmasterinc.com



ITEM	QTY	NAME	MATERIAL
1.....	4.....	3/8" x 1 1/4" BOLT.....	350060-00
2.....	4.....	3/8" LOCK WASHER.....	350305-00
3.....	4.....	3/8" FLAT WASHER.....	350304-00
4.....	4.....	3/8" HEX NUT.....	350254-00
5.....	2.....	QUICK LINK.....	200008-00
6.....	2.....	8" SAFETY CABLE.....	650646-08
7.....	1.....	DRIVER SIDE ARM.....	C-002214
8.....	1.....	PASSENGER SIDE ARM.....	C-002215
9.....	1.....	MAIN RECEIVER.....	C-002217
10.....	5.....	ZIP TIE.....	300140-8



# MOUNTING BRACKET KIT INSTALLATION INSTRUCTIONS

**KIT# 521879-1**

02/20/13  
KS

ROADMASTER, Inc. 6110 NE 127th Ave. Vancouver, WA 98682 360-896-0407 fax 360-735-9300 www.roadmasterinc.com

This is one of our EZ2 series brackets, which allows the visible front portion of the bracket to be easily removed from the front of the vehicle (Fig.A and Fig.B). The bracket consists of a main receiver brace, two removable front braces, and a hardware pack.

The main receiver brace mounts to the frame rails and the lower core support. The removable front braces install in the main receiver brace.

Before starting the installation, lay out the kit components in order, as they will be used. This will give you a visual idea of how the components work, and will also confirm that everything is present and accounted for.



Fig.A



Fig.B

**IMPORTANT:** All brackets **must** be assembled with all the bolts left loose for final adjustment and positioning (before tightening) unless otherwise instructed. All bolts **must** be torqued for proper strength. If more than one bolt is used per fastening point, the diagram may only show one.

- Use flat washers over all slotted holes
- Use lock washers on all fasteners

## WARNING

Failure to follow these instructions can result in property damage, personal injury or even death.

- Installation of most mounting brackets requires moderate mechanical aptitude and skills. We strongly recommend professional installation by an experienced installer.
- The installer must read the instructions and use all bolts and parts supplied. Failure to do so could result in loss of the towed vehicle.
- Use Loctite® Red on all bolts used for mounting this bracket.
- Every 3,000 miles, the owner must inspect the fasteners for proper torque, according to the bolt torque requirements chart on the last page of these instructions. The owner must also inspect all mounts and brackets for cracks or other signs of fatigue every 3,000 miles. Failure to do so could result in loss of the towed vehicle.
- The owner must check the vehicle manufacturer's instructions for the proper procedure(s) to prepare the vehicle for towing. Some vehicles must be equipped with a transmission lube pump, an axle disconnect, driveline disconnect or free-wheeling hubs before they can be towed. Failure to properly equip the vehicle will cause severe damage to the transmission.
- If running changes were made by the vehicle manufacturer after this bracket was designed, some bolts or other fasteners in the hardware pack may no longer be the correct size. It is the installer's responsibility to verify that the bracket is securely fastened to the vehicle and fitted with the correct hardware to account for these changes. Failure to securely fasten the bracket could result in loss of the towed vehicle.
- If the towed vehicle has been in an accident, it must be properly repaired before attaching the bracket. Do not install the bracket if any structural frame damage is found. Failure to repair the damage could result in the loss of the towed vehicle.
- Roadmaster manufactures many styles of brackets. If your bracket has removable arms, they must be removed before driving the vehicle, unless the arms can be pinned or padlocked in place. If not secured, the arms could vibrate out, resulting in non-warranty damage or personal injury.
- Some motorhome chassis have such a tight turning radius that you can damage your motorhome, towed vehicle, tow bar or bracket while turning sharply. Before getting on the road, test your turning radius in an empty parking lot. Turning too sharply could result in non-warranty damage to towing system, motorhome and/or towed vehicle.
- Do not back up with the towed vehicle attached or non-warranty damage will occur to your towing system, motorhome and/or towed vehicle.
- The safety cables must connect the towing vehicle to the towed vehicle frame to frame, with the cables crossed, with enough slack for sharp turns. Refer to the cable instructions for proper routing. Failure to leave enough slack in the safety cables, or failure to connect the safety cables frame to frame, will result in the loss of the towed vehicle.
- This bracket is designed for use with ROADMASTER tow bars and ROADMASTER adaptors only. Using this bracket with other brands, without an approved ROADMASTER adaptor, may result in non-warranty damage or injury.
- Do not use this document for custom fabrication, as it may not show all parts or structural components. Custom fabrication or an attempt to copy this bracket design could result in loss of the towed vehicle.
- Upon final installation, the installer must inspect the bracket to ensure adequate clearance, particularly around hoses, air conditioner lines, radiators, etc., or non-warranty damage to the towed vehicle will result.
- This bracket is only warranted for the original installation. Installing a used bracket on another vehicle is not recommended and will void the warranty.



# MOUNTING BRACKET KIT INSTALLATION INSTRUCTIONS

**KIT# 521879-1**

02/20/13  
KS

ROADMASTER, Inc. 6110 NE 127th Ave. Vancouver, WA 98682 360-896-0407 fax 360-735-9300 www.roadmasterinc.com



1. **Important:** please use all supplied bolts and parts and read all instructions carefully before beginning this installation. The majority of questions you may have can be answered within the text, and proper installation will ensure safe and secure travel. Now, begin the installation by removing three plastic fasteners (on each side) attaching the fender liner to the fascia (Fig.C).

2. Pull back on the fender liner and, on both sides, remove the plastic fastener attaching the fender flare to the lower half of the fascia (Fig.D). *Note:* due to manufacturing variances, there may be two plastic fasteners to remove.



3. On each side, pull the lower corner of the fender flare away to gain access to the T25 Torx bolt (Fig.E) and then remove it.

4. If the vehicle is equipped with fog lights, remove two 4mm Allen head screws on each side (Fig.F) and pull forward to release each light from the fog light mount (Fig.G)





# MOUNTING BRACKET KIT INSTALLATION INSTRUCTIONS

**KIT# 521879-1**

02/20/13  
KS

ROADMASTER, Inc. 6110 NE 127th Ave. Vancouver, WA 98682 360-896-0407 fax 360-735-9300 www.roadmasterinc.com



5. Remove four plastic fasteners attaching the top of the grille to the core support (Fig.H).
6. Remove the grille by pushing the four release tabs (Fig.I) toward the center of the car.



7. On each side of the radiator, remove one T25 Torx bolt (Fig.J) attaching the top of the fascia to the core support.
8. Remove the two plastic fasteners attaching the water line to the top of the fascia (Fig.K). *Note:* due to manufacturing variances, not every vehicle will be equipped with this water line.
9. Remove three plastic fasteners and two T25 Torx bolts (Fig.L) attaching the bottom of the fascia to the lower radiator support. The Torx bolts are to the outside of the vehicle. ***Note:*** '13 models will need an additional three fasteners removed (Fig.M). They will not be replaced.



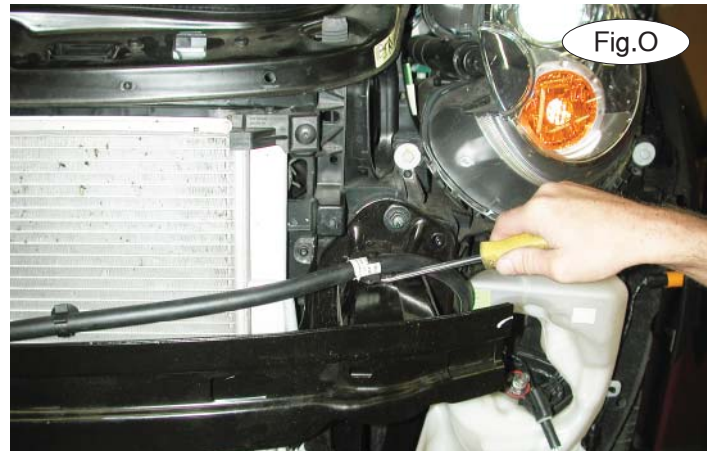
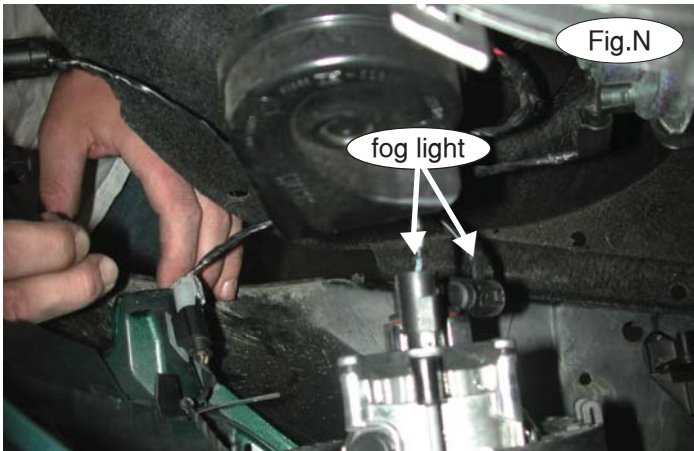


# MOUNTING BRACKET KIT INSTALLATION INSTRUCTIONS

**KIT# 521879-1**

02/20/13  
KS

ROADMASTER, Inc. 6110 NE 127th Ave. Vancouver, WA 98682 360-896-0407 fax 360-735-9300 www.roadmasterinc.com



10. Pull forward on the fascia to gain access to the fog lights and disconnect them (Fig.N). Also, locate the ambient temperature sensor (on the passenger side only) and disconnect it. *Note:* do not start the vehicle when the temperature sensor is unplugged because it could cause the 'Check Engine' light to illuminate.

11. Reach inside the air duct and pull forward to remove the fascia from the air ducting.

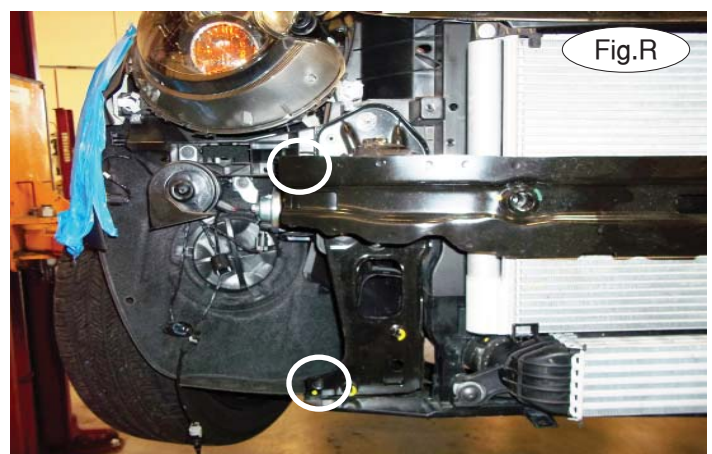


12. On each side of the radiator, remove one plastic fastener attaching the water line to the top of the bumper core (Fig.O). *Note:* due to manufacturing variances, not every vehicle will be equipped with this water line.

13. On each side, remove three 13mm (head) bolts and two 13mm (head) bolts attaching the bumper core to the end of the frame rail (Fig.P). *Note:* the two bolts will need to be unscrewed from the rear of the bumper core.

14. On the passenger side only, remove one plastic fastener attaching the wiring harness to the back of the bumper core (Fig.Q).

15. On each side, remove two T20 Torx bolts attaching the bumper core to the core support (Fig.R).





# MOUNTING BRACKET KIT INSTALLATION INSTRUCTIONS

**KIT# 521879-1**

02/20/13  
KS

ROADMASTER, Inc. 6110 NE 127th Ave. Vancouver, WA 98682 360-896-0407 fax 360-735-9300 www.roadmasterinc.com



16. Remove the bumper core (Fig.S). The bumper core will not be re-installed. *Note:* retain the bumper core and attachment hardware for replacement in case the bracket is ever removed.

17. Position the main receiver brace over the ends of the frame rails so that the three pre-existing holes at each end of the brace align with the holes in the bumper core mount. Reinstall the bolts that you removed in step 13. Bolt the main receiver brace to the lower core support using the two lower T20 Torx bolts you removed in step 15 (Fig.T). *Note:* use Loctite® Red on all bolts used for mounting this bracket.



18. On each side, using two of the supplied 3/8" x 1 1/4" bolts, 3/8" flat washers, lock washers and nuts, bolt through the lower half of the main receiver brace and into the ends of the frame rails (Fig.U). *Note:* due to manufacturing variances, these holes may need to be slightly enlarged.

19. Using the two zip ties, remount the ambient temperature sensor to the main receiver brace.

20. Hold the fascia in place over the main receiver brace and trim the fascia using Figure V as a guide for trimming.

21. Torque the 3/8" bolts to 23 ft./lbs. Torque the 13mm factory hardware to 19 ft./lbs and then torque all remaining bolts to the bolt torque requirements found at the end of these instructions.



# MOUNTING BRACKET KIT INSTALLATION INSTRUCTIONS

**KIT# 521879-1**

02/20/13  
KS

ROADMASTER, Inc. 6110 NE 127th Ave. Vancouver, WA 98682 360-896-0407 fax 360-735-9300 www.roadmasterinc.com



22. Trim the back of the fascia to allow clearance for the main receiver brace. Figure W shows the back of the fascia before trimming and Figure X shows after the trimming.

23. Reinstall the fascia, reversing steps 1 through 9.

24. Insert the removable front bracket arms into the front receiver braces, and twist each one 90 degrees to lock.

25. Attach the 8" safety cables with the cable connectors (Q-Links) to the front of the receiver braces (Fig.Y).

26. Attach the ends of the safety cables to the tow vehicle's safety cables.

27. Install the tow bar to the mounting bracket according to the manufacturer's instructions.



## BOLT TORQUE REQUIREMENTS

Note: The torque values represented below are intended as general guidelines. Torque requirements for specific applications may vary. Roadmaster does not warrant this information to be accurate for all applications and disclaims all liability for any claims or damages which may result from its use.

### STANDARD BOLTS

Thread Size	Grade	Torque
5/16	5	13 ft./lb.
3/8	5	23 ft./lb.
7/16	5	37 ft./lb.
1/2	5	56 ft./lb.
5/8	5	150 ft./lb.

### METRIC BOLTS

Thread Size	Grade	Plated / Unplated
8mm-1.0	8.8	20 ft./lb. 18 ft./lb.
8mm-1.25	8.8	19 ft./lb. 18 ft./lb.
10mm-1.25	8.8	38 ft./lb. 36 ft./lb.
10mm-1.5	8.8	37 ft./lb. 35 ft./lb.

### METRIC BOLTS

Thread Size	Grade	Plated / Unplated
12mm-1.25	8.8	70 ft./lb. 65 ft./lb.
12mm-1.5	8.8	66 ft./lb. 61 ft./lb.
12mm-1.75	8.8	65 ft./lb. 60 ft./lb.
14mm-2.0	8.8	104 ft./lb. 97 ft./lb.

All illustrations and specifications contained herein are based on the latest information available at the time of publication approval. ROADMASTER, INC. reserves the right to make changes at any time without notice in material, specification and models or to discontinue models.