

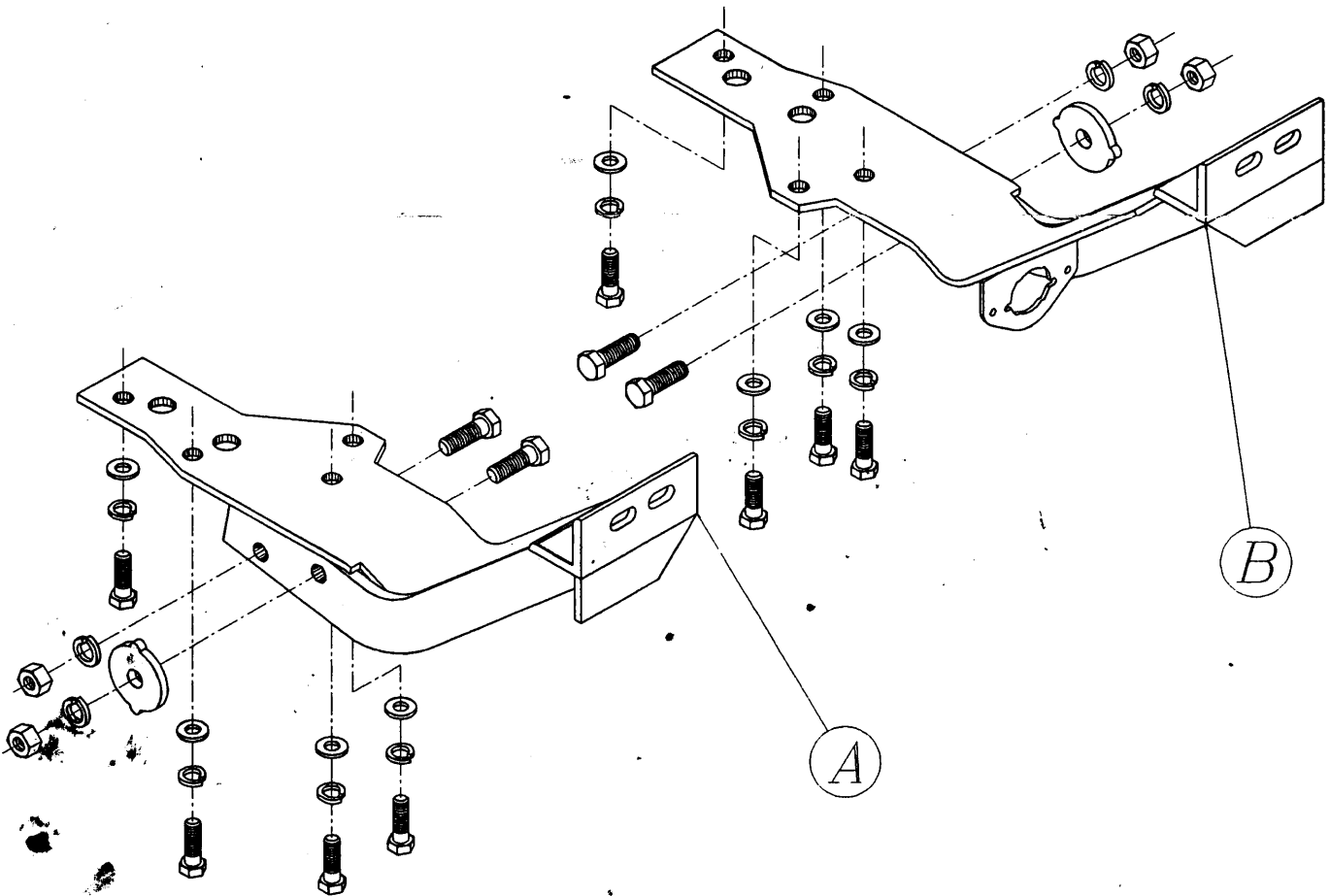
ROADMASTER, INC.

STOWMASTER MOUNTING BRACKET KIT INSTALLATION INSTRUCTIONS

PARTS LIST:

- 1- MAIN BRACE (A) - Passenger side
- 1- MAIN BRACE (B) - Driver's side

KIT NO. 806-2



071697

WARNING: THIS ILLUSTRATION MAY NOT SHOW ALL PARTS OR STRUCTURAL COMPONENTS. **DO NOT** USE THIS DOCUMENT FOR CUSTOM FABRICATION OR ALTERATIONS.

IMPORTANT: All brackets *must* be assembled with all the bolts left loose for final adjustment & positioning (before tightening) unless otherwise instructed. All bolts *must* be torqued for proper strength. If more than one bolt is used per fastening point, the diagram may only show one.

Use flat washers over all slotted holes

Use lock washers on all fasteners

FAILURE TO FOLLOW THESE INSTRUCTIONS CAN RESULT
IN DEATH, PERSONAL INJURY OR PROPERTY DAMAGE

© ROADMASTER, INC.

5602 NE Skyport Way
Portland, OR 97218

1-800-669-9690

KIT NO. 806-2

Congratulations! You have just purchased another fine Roadmaster product. Thank you.

1. This bracket kit utilizes the lower suspension bracket bolts, the tie down plates and frame as attachment points on each side. Remove the four mounting bolts in the suspension brackets on each side.
2. Slide the lower braces between the frame and the suspension bracket on each side. Bolt through each bracket with the provided 10mm x 1.25 x 35mm bolts, flat washers and lock washers. Leave bolts finger tight at this time. Bolt through the tie down plate on each side using the 1/2" x 1-1/2" bolts, plate washers, lock washers and nuts provided.
3. Mount the tow bar according to the manufacturer's instructions and align the braces. Tighten all bolts to the torque specifications below.

Hardware:

080894

- 8- 10mm x 1.25 x 35mm bolts
- 8- 10mm lock washers
- 8- 10mm flat washers
- 4- 1/2" x 1-1/2" bolts
- 4- 1/2" nuts
- 4- 1/2" lock washers
- 2- 1/2" plate washers

CAUTION: Installer must read instructions and use all bolts and parts supplied.

FAILURE TO FOLLOW THESE INSTRUCTIONS CAN RESULT IN DEATH, PERSONAL INJURY OR PROPERTY DAMAGE

STANDARD BOLTS			BOLT TORQUE REQUIREMENTS	METRIC BOLTS		
SIZE	GRADE	TORQUE		SIZE	GRADE	TORQUE
5/16	5	21 ft. lb.	© ROADMASTER, INC. 5602 NE Skyport Way Portland, OR 97218	8mm	8.8	32 ft. lb.
3/8	5	30 ft. lb.		10mm	8.8	38 ft. lb.
7/16	5	55 ft. lb.		12mm	8.8	44 ft. lb.
1/2	5	75 ft. lb.				