

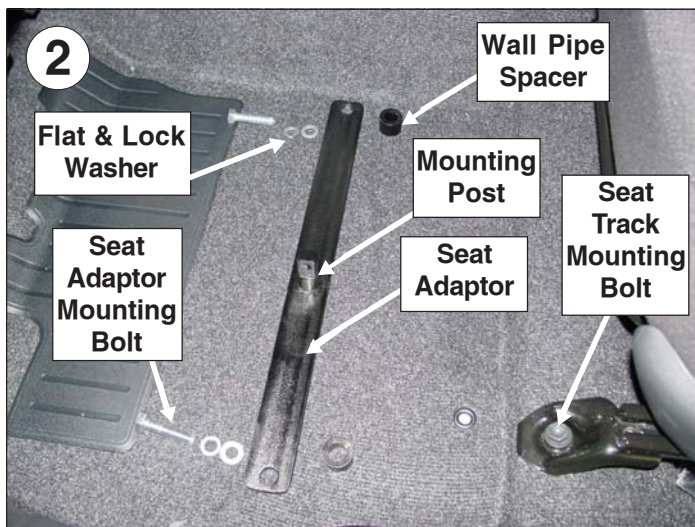
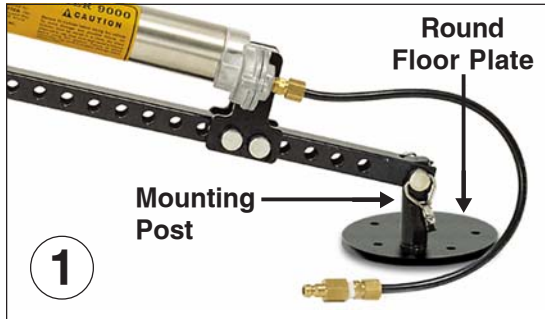
# SEAT ADAPTOR KIT #88142 INSTALLATION INSTRUCTIONS



3822-01

ALL SPECIFICATIONS ARE SUBJECT TO CHANGE WITHOUT NOTICE

ROADMASTER, Inc. 6110 NE 127th Ave. Vancouver, WA 98682 1-800-669-9690 fax 360-735-9300 www.roadmasterinc.com



- ## Parts List
- (1) 3/8" lock washer
  - (1) 3/8" x 3/4" bolt
  - (2) 10mm x 1.25 x 45mm bolts
  - (2) 1" x 3/4" x .218 wall pipe spacers
  - (2) 10mm flat washer
  - (2) 10mm lock washer

## Instructions

1. Before installing the seat adaptor, the mounting post (that was included with your BrakeMaster system) must be removed from the round plate (Fig.1). First, secure the round plate in a vise. Use a wrench to loosen the mounting post, while holding the bolt with an Allen wrench. Don't try to turn the Allen bolt with the Allen wrench, as you might damage the wrench or bolt. Use a 1/2" open-end wrench to twist the mounting post off. Then, secure the mounting post to the center of the seat adaptor, using the included 3/8" x 3/4" bolt and 3/8" lock washer.
2. Remove the two 14mm (head) front seat track mounting bolts. Place the 1" x 3/4" x .218 wall pipe spacers between the seat tracks and the seat adaptor. Now, bolt the seat adaptor into place using the two supplied 10mm x 1.25 x 45mm bolts, lock washers and flat washers.

 **WARNING** Failure to follow these instructions can result in property damage, personal injury or even death.