



Time Tested • Time Proven

Spare Tire Carrier
part number 195125, roadmasterinc.com/patents

Assembly and operating instructions

855712-03 04-23

All specifications are subject to change without notice.

ROADMASTER, Inc. 6110 NE 127th Ave. Vancouver, WA 98682 800-669-9690 Fax: 360-735-9300 www.roadmasterinc.com

CAUTION

Read all instructions before assembling or operating this device. Failure to understand how to properly assemble or operate the spare tire carrier could result in extensive property damage or severe personal injury.



WARNING

Do not use a hitch extension, a high-low hitch or any similar product in conjunction with the spare tire carrier, or failure of any of these components may occur resulting in property damage, personal injury or even death.

Note: If you have deep dish or dually-style wheels, you will need to use the 195225-S Spare Tire Carrier instead.

Assembly instructions

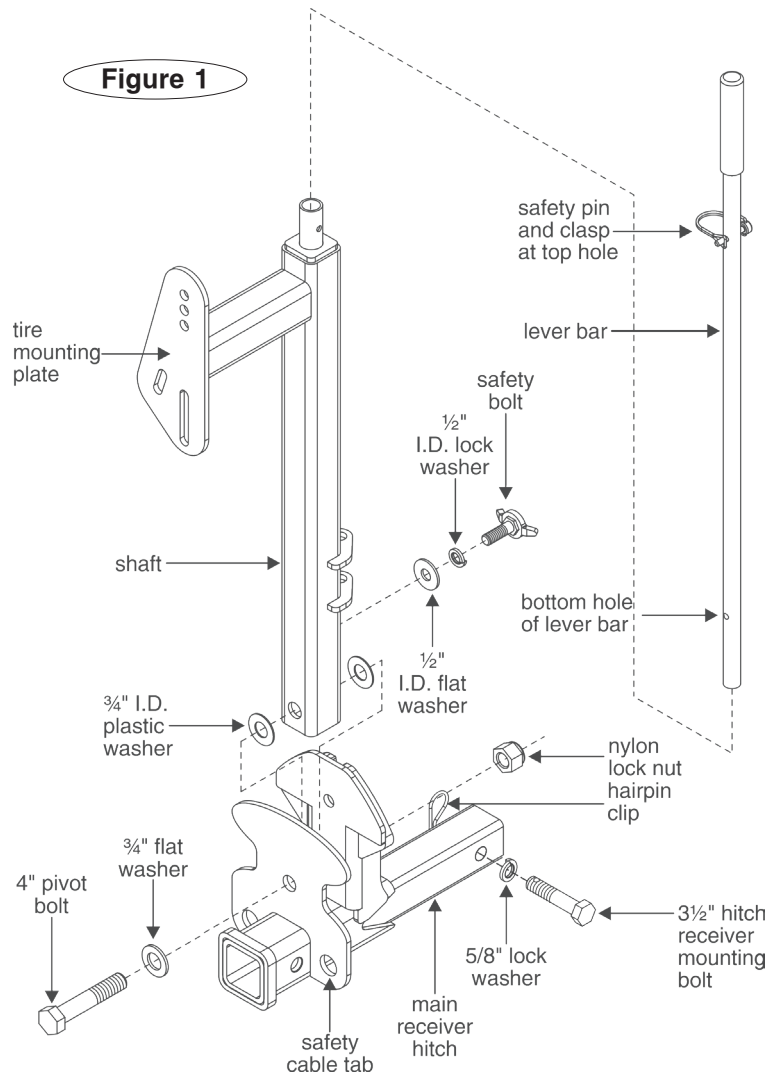
Tools required

- torque wrench
- 3/4"; 15/16"; and 1-1/8" socket wrenches

1. Slide the main receiver hitch (Figure 1) into the motorhome hitch receiver until the pre-drilled hitch receiver bolt hole aligns to the corresponding hole in the hitch receiver.

2. Use a 15/16" socket wrench to attach the 3 1/2" hitch receiver mounting bolt (Figure 1), with the lock washer under the bolt head. Torque to 100 ft./lbs. Secure it with the provided hairpin clip or with an optional padlock, ROADMASTER part number 301.

Note: although not required, we recommend using continued on next page



Safety Definitions

These instructions contain information that is very important to know and understand. This information is provided for safety and to prevent equipment problems. To help recognize this information, observe the following symbols:

WARNING

WARNING indicates a potentially hazardous situation which, if not avoided, could result in property damage, serious personal injury or even death.

CAUTION

CAUTION indicates a potentially hazardous situation which, if not avoided, may result in property damage, or minor or moderate personal injury.

CAUTION

CAUTION used without the safety alert symbol indicates a potentially hazardous situation which, if not avoided, may result in property damage.

NOTE

Refers to important information and is placed in italic type. It is recommended that you take special notice of these items.

continued from preceding page

Loctite® Red on the 3½" hitch receiver mounting bolt.

3. Position the shaft on top of the main receiver hitch (Figure 1).

4. Attach the 4" pivot bolt – use the ¾" flat washer and both of the ¾" inner diameter plastic washers (one on either side of the shaft) and secure the bolt with the lock nut, using a 1-1/8" socket wrench.

Torque the pivot bolt to 50 ft./lbs.

Note: there are two sizes of plastic washers in this kit. Although they look the same, one set has an inner diameter of ¾" and the other has an inner diameter of 9/16".

CAUTION

Hold the tire mounting plate and shaft in place until secured. The plate and shaft are heavy and can cause property damage or severe personal injury if they are allowed to fall.

5. Attach the safety bolt and hand-tighten the bolt.

Note: if you will be installing a spare tire at this time, do not attach the safety bolt.

CAUTION

DO NOT DRIVE THE MOTORHOME WITHOUT THE SAFETY BOLT IN PLACE. The safety bolt will hold the tire mounting plate and shaft upright if the locking mechanism should fail. Property damage, personal injury or other consequential, non-warranty damage can occur if the locking mechanism fails and the safety bolt is not attached.

Spare tire installation

1. Remove the safety bolt (if it's attached).

Insert the lever bar and pin the bottom hole of the bar (Figure 1) to the tire mounting plate with the safety pin and clasp.

Lift the release handle (Figure 2) until it clears the retaining slot (Figure 2). Holding the lever, swing the spare tire carrier to the ground.

CAUTION

Be careful when lowering the spare tire carrier. Property damage or severe personal injury can result if it is allowed to fall.

2. Roll the spare tire up to the spare tire carrier.

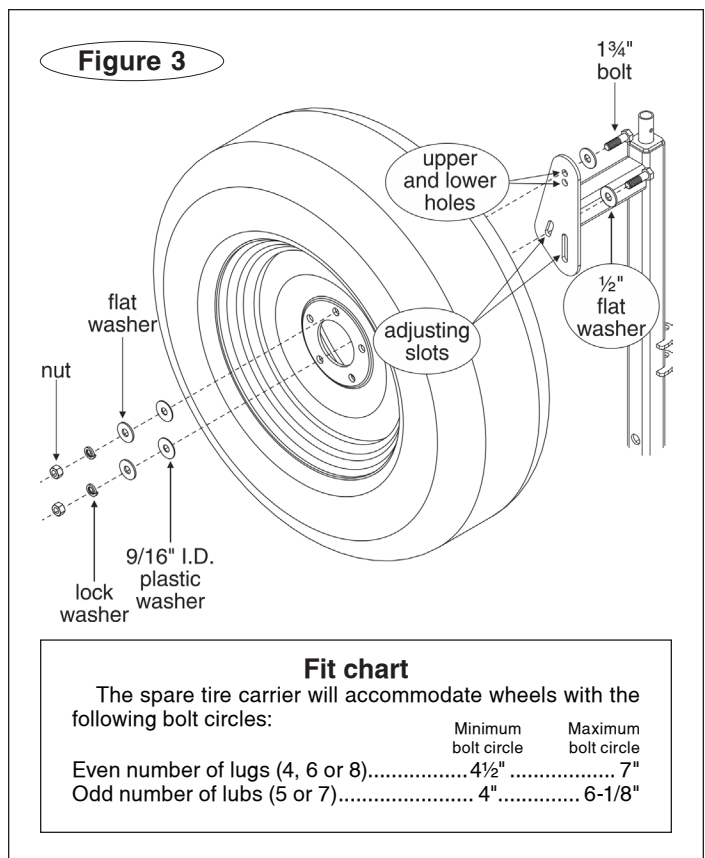
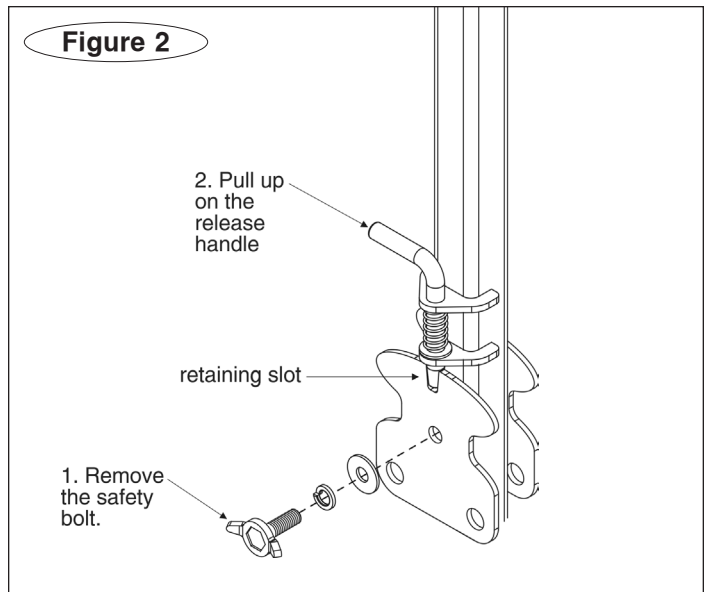
Position the wheel so that a lug hole is at the top, aligned to the upper and lower holes (Figure 3).

3. If the wheel has a smaller bolt circle (see the 'Fit Chart' in Figure 3), insert a 1¾" bolt and ½" flat washer through the lower hole in the tire mounting plate and through the spare; use the upper hole for wheels with a larger bolt circle.

4. Make certain that the bottom hole of the lever is secured to the tire mounting plate with the safety pin and clasp. Swing the carrier up and allow it to lock. If necessary, pull up on the release handle until it drops into the retaining slot.

CAUTION

Do not let go of the spare tire carrier until the release handle drops into position. The carrier and spare tire are



heavy and can cause property damage or severe personal injury if they are allowed to fall.

The lug hole directly opposite the bolt will line up in one of the two adjusting slots (Figure 3). Attach the second bolt and washer through the wheel and the adjusting slot.

5. As shown in Figure 3, fasten the two sets of plastic washers, flat washers, lock washers and hex nuts on the other side of the wheel to the 1¾" bolts and ½" flat washers. Use a ¾" socket wrench to tighten the two bolts.

continued on next page

continued from preceding page

CAUTION

Position the plastic washers directly against the wheel of the spare tire. This will help protect the wheel from any marring. Failure to follow these instructions may cause scratches and other non-warranty damage to the wheel.

6. Unpin the lever bar and let it slide inside the wheel mount shaft; reattach the safety pin and clasp to the top hole.
7. Attach the safety bolt.



CAUTION

DO NOT DRIVE THE MOTORHOME WITHOUT THE SAFETY BOLT IN PLACE. The safety bolt will hold the spare tire carrier upright if the locking mechanism should fail. Property damage, personal injury or other consequential, non-warranty damage can occur if the locking mechanism fails and the safety bolt is not attached.

Safety cable attachment

1. When towing, the safety cable tabs (Figure 1) on either side of the main receiver hitch can be used to attach the safety cables.

Maintenance

1. At the beginning of each towing season, check to ensure that all fasteners are tight.



WARNING

Using the spare tire carrier will decrease the weight capacity of the vehicle's hitch receiver by one third. This lowered capacity must still be more than the weight of a towed vehicle or hitch accessory attached to the spare tire carrier.

If it is not, replace the hitch receiver with one that has the appropriate weight capacity. Otherwise, structural failure will occur.



WARNING

The spare tire carrier has a maximum carrying capacity of 6,000 pounds and a maximum tongue weight of 200 pounds (excluding the weight of the wheel and carrier). Do not exceed these weight capacities or structural failure will occur.

If a longer power cord is necessary...

Hitch accessories such as the spare tire carrier will extend the length of the towing system. If your power cord is now too short, longer versions are available.

Call or click (800-669-9690; roadmasterinc.com) for more information.

Parts

Item	Qty	Part number	Description
1	1	200085-50	lever handle
2	1	200695-50	0.845" x 2.00" compression spring
3	2	350096-00	1/2-13 x 1 3/4" bolt
4	1	350185-00	3/4-10 x 4" grade 5 bolt
5	2	350258-00	1/2-13 hex nut
6	1	350265-00	3/4-10 nylon lock nut
7	5	350308-00	1/2" flat washer
8	3	350309-00	1/2" lock washer
9	1	350314-20	3/4" SAE washer
10	2	350358-00	3/4" acetal washer
11	2	350372-60	9/16" x 2" x 0.063" nylon washer
12	1	350734-00	5/8" lock washer – yellow zinc
13	1	357000-50	1/4" linch pin
14	1	357036-00	3/16" R-clip
15	1	357395-58	5/8" external snap ring
16	1	350348-80	5/8" SAE flat washer
17	1	A-005102	5/8-11 x 3 1/2" grade 8 bolt
18	1	A-005363	lever
19	1	B-002718	5/8" lock pin
20	1	C-002956	safety bolt
21	1	C-003076	main receiver hitch
22	1	C-003077	tire mounting plate

