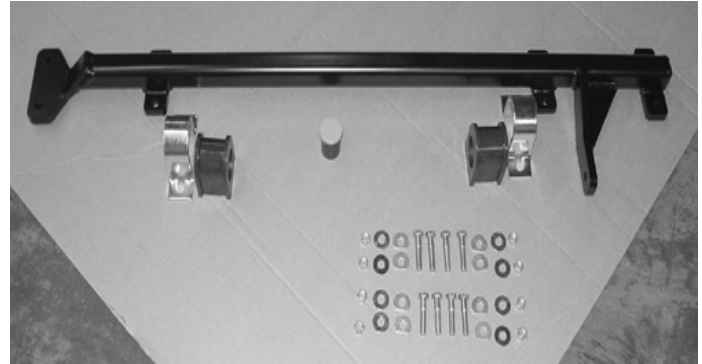




Installation Instructions

Suspension Bar for Workhorse P-30

part #1109-200



INTRODUCTION

Thank you for purchasing this suspension bar kit. This kit is designed to improve the handling characteristics of your Workhorse by reducing the body roll and balancing the weight transfer during cornering. The spreader bar kit is engineered for long life and trouble-free performance.

All the hardware needed for installation is included in this kit. Refer to the PARTS LIST in these instructions to identify the parts.

SUGGESTED TOOLS

The following tools are suggested to complete the installation procedures:

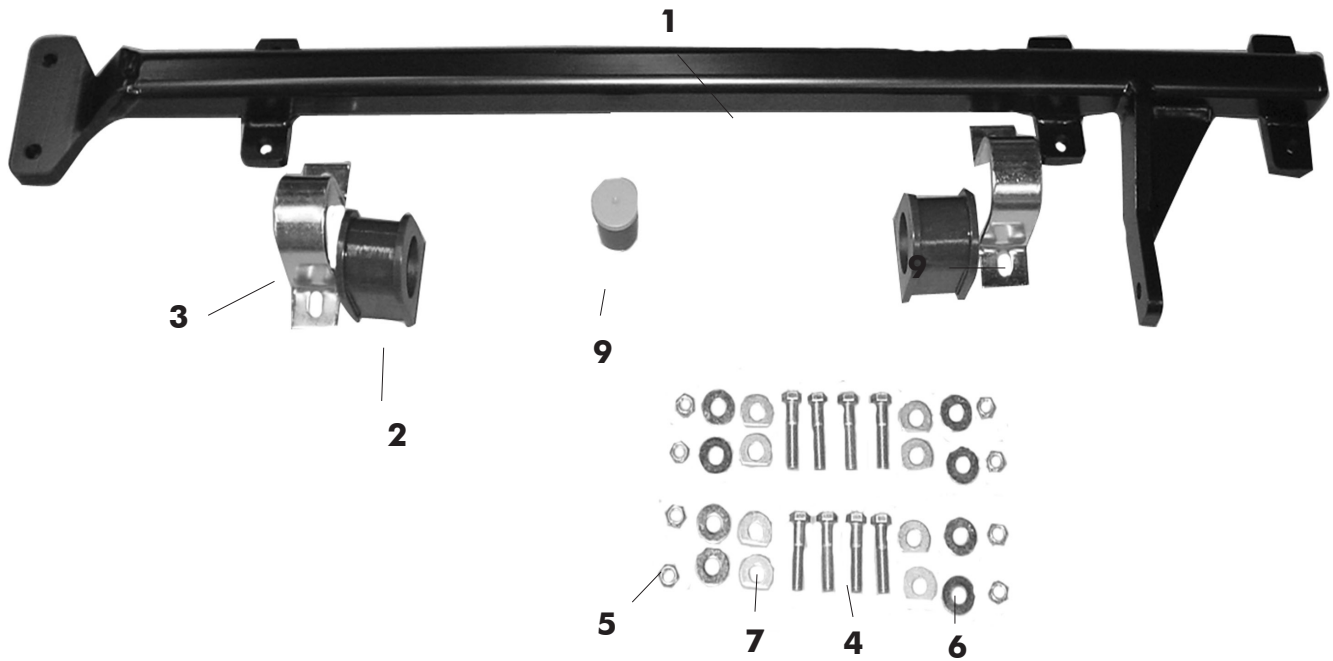
- General hand tools

WARNING

Failure to follow these instructions can result in property damage, personal injury or even death.

- If raising the vehicle to install the anti-sway bar, always support the vehicle with jack stands at both frame rails or at the rear axle before working underneath. Ensure that the jack stands are securely positioned, and are rated at or above the weight of the vehicle.
- The installer must read the instructions and use all bolts and parts supplied. Use only the parts supplied by ROADMASTER to install this kit.
- Minor modifications are sometimes necessary due to slight vehicle variations, even for the same year, make and model.
- Regardless of year, make and model, a wide range of options for specific applications may or may not interfere with the installation. It is the installer's responsibility to make certain that equipment is not damaged once the suspension solution travels through the full range of motion. Failure to ensure adequate clearance could result in non-warranty property damage, personal injury or even death.
- If running changes were made by the manufacturer after this kit was designed, there may be weldments, braces, gussets, or other structural items which interfere with the installation. It is the installer's responsibility to allow for these running changes without sacrificing the structural integrity of the anti-sway bar. Failure to securely fasten the anti-sway bar could result in property damage, personal injury or even death.
- ROADMASTER will not be responsible for any damage or injury resulting from any modification or alteration.
- Check ALL the fasteners for tightness before and after road testing the vehicle.
- Do not use this document for custom fabrication, as it may not show all parts or structural components.
- Do not use an air impact wrench when re-installing bolts, as stripped threads may result.
- This anti-sway bar is only warranted for the original installation. Installing a used anti-sway bar on another vehicle is not recommended and will void the warranty.

PARTS LIST



Part #1109-200

Part #	Description	Qty
1. 580128-00	Square suspension bar 1½"	1
2. 205222-10	Bushings, split	2
3. B140	Bracket, U clamp	2
4. 350058-80	3/8" x 1-3/4" NC bolt	8
5. 350272-00	3/8" Lock nut	8
6. 350304-80	3/8" Washer, cut	8
7. 350304-30	3/8" D cut washer	8
8. 400011-30	Aqualube Grease	1

INSTALLATION

The following instructions must be followed in the order listed to ensure a proper installation and to preserve the **ROADMASTER** warranty.

1. Remove the bolts from the two middle anti-sway bar/bushing brackets then remove the brackets. Loosen the outer anti-sway bar bolts and brackets on each side, just enough for the anti-sway bar to hang down slightly.

WARNING

Removing the brackets will release the anti-sway bar. The anti-sway bar is heavy, and may cause property damage or personal injury if it falls on equipment, engine components or any part of your body. Ensure that the anti-sway bar is supported and that you are out of the way when removing the brackets.

Failure to follow these instructions may cause property damage, personal injury or even death.

2. Remove the driver side strut (Figure 1) from the lower cross member and the frame by the steering gear, the strut is 3/4" round stock. This will allow for proper clearance when installing the suspension bar.
3. With the steering wheel turned all the way to the right, slide the suspension bar in from the passenger side (Figure 2). *Note:* the suspension bar installs above the anti-sway bar and inside the center sway bar supports.
4. Once the bar is centered on the anti-sway bar supports and the bushing/bracket holes, install the original bushing/brackets to their previous location using the supplied bolts and hardware. Do not tighten.
5. Now, lubricate the bushings with the provided grease (Figure 3) and install the new bushings and brackets. Bolt into the outside mounts on each end of the suspension bar. *Note:* to ensure steering clearance, install the passenger side bolts facing down with the nuts on the bottom.
6. Re-install the strut support and tighten all the bolts. *Note:* Also tighten the bolts on the frame/sway bar support (they are often loose and will cause failure if they come loose).
7. Road test and re-check bolts.

WARNING

The suspension bar is not a load-bearing component

Do not tow or hoist the vehicle using the suspension bar or its mounting brackets as attachment points. The suspension bar is not designed to carry the weight of the vehicle and may collapse, which will damage the suspension bar components, the suspension, or other components. The vehicle will detach or fall, which may cause severe personal injury.

Failure to follow these instructions may result in property damage, personal injury or even death.

Figure 1

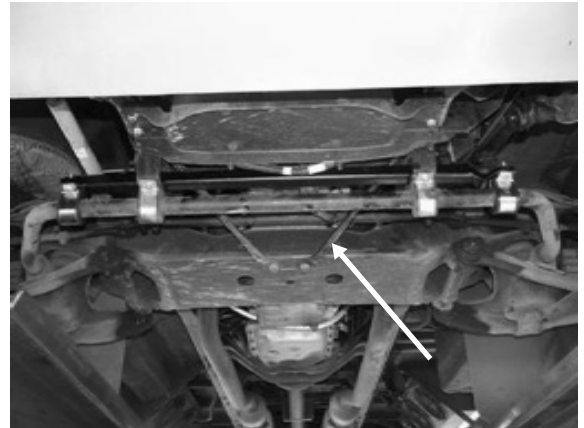
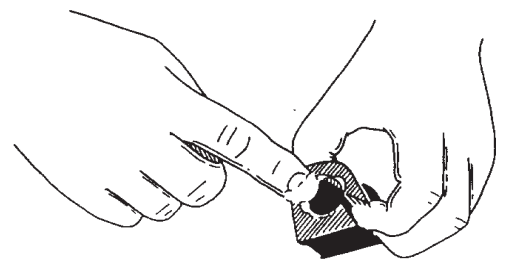


Figure 2



Figure 3



INSTALLATION

The following instructions must be followed in the order listed to ensure a proper installation and to preserve the ROADMASTER warranty.

Note: If the vehicle stabilizer is equipped with a Safe-T-Plus or Blue Ox steering stabilizer, remove the frame bracket and discard. The suspension bar has a bracket on it for these units.

