



# Front Anti-Sway Bar Kit INSTALLATION INSTRUCTIONS

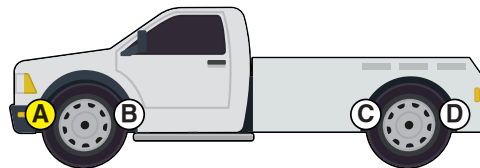
KIT# 1139-101

12/25  
FC

ROADMASTER, Inc. 6110 NE 127th Ave. Vancouver, WA 98682 360-896-0407 www.RoadmasterInc.com

For 2011-2024 models  
of the Ford F450/F550s.

*This sway bar is designed for extra clearance for wider larger rims and tire clearance.*



## WARNING

**Failure to follow these instructions can result in property damage, personal injury or even death.**

- If raising the vehicle to install the anti-sway bar, always support the vehicle with jack stands at both frame rails or at the rear axle before working underneath. Ensure that the jack stands are securely positioned, and are rated at or above the weight of the vehicle.
- The installer must read the instructions and use all bolts and parts supplied. Use only the parts supplied by ROADMASTER to install this kit.
- Minor modifications are sometimes necessary due to slight vehicle variations, even for the same year, make and model.
- Regardless of year, make and model, a wide range of options for specific applications may or may not interfere with the installation. It is the installer's responsibility to make certain that equipment is not damaged once the suspension solution travels through the full range of motion. Failure to ensure adequate clearance could result in non-warranty property damage, personal injury or even death.

- If running changes were made by the manufacturer after this kit was designed, there may be weldments, braces, gussets, or other structural items which interfere with the installation. It is the installer's responsibility to allow for these running changes without sacrificing the structural integrity of the anti-sway bar. Failure to securely fasten the anti-sway bar could result in property damage, personal injury or even death.
- ROADMASTER will not be responsible for any damage or injury resulting from any modification or alteration.
- Check ALL the fasteners for tightness before and after road testing the vehicle.
- Do not use this document for custom fabrication, as it may not show all parts or structural components.
- Do not use an air impact wrench when re-installing bolts, as stripped threads may result.
- This anti-sway bar is only warranted for the original installation. Installing a used anti-sway bar on another vehicle is not recommended and will void the warranty.

## Information:

Thank you for purchasing this rear anti-sway bar kit. This kit is designed to improve the handling characteristics of your Ford; by reducing the body roll and balancing the weight transfer during cornering.

The anti-sway bar kit is engineered for long life and trouble-free performance. For maximum suspension control, use this kit along with our shock absorbers and our front anti-sway bar kit. All the hardware needed for installation is included in this kit. Refer to the PARTS LIST in these instructions to identify the parts.

Before starting the installation, lay out the kit components in order, as they will be used. This will give you a visual idea of how the components work, and will also confirm that everything is present and accounted for.



## BOLT TORQUE REQUIREMENTS

Note: The torque values represented below are intended as general guidelines. Torque requirements for specific applications may vary. Roadmaster does not warrant this information to be accurate for all applications and disclaims all liability for any claims or damages which may result from its use.

### STANDARD BOLTS

Thread Size	Grade	Torque
5/16-18	5	13 ft./lb.
3/8-16	5	23 ft./lb.
7/16-14	5	37 ft./lb.
1/2-13	5	57 ft./lb.
5/8-11	5	112 ft./lb.

### METRIC BOLTS

Thread Size	Grade	Torque
6mm-1.0	8.8	6 ft./lb.
8mm-1.0	8.8	18 ft./lb.
8mm-1.25	8.8	16 ft./lb.
10mm-1.25	8.8	36 ft./lb.
10mm-1.5	8.8	31 ft./lb.

### METRIC BOLTS

Thread Size	Grade	Torque
12mm-1.25	8.8	64 ft./lb.
12mm-1.5	8.8	60 ft./lb.
12mm-1.75	8.8	55 ft./lb.
14mm-2.0	8.8	88 ft./lb.



# Front Anti-Sway Bar Kit INSTALLATION INSTRUCTIONS

**KIT# 1139-101**

12/25  
FC

ROADMASTER, Inc. 6110 NE 127th Ave. Vancouver, WA 98682 360-896-0407 www.RoadmasterInc.com

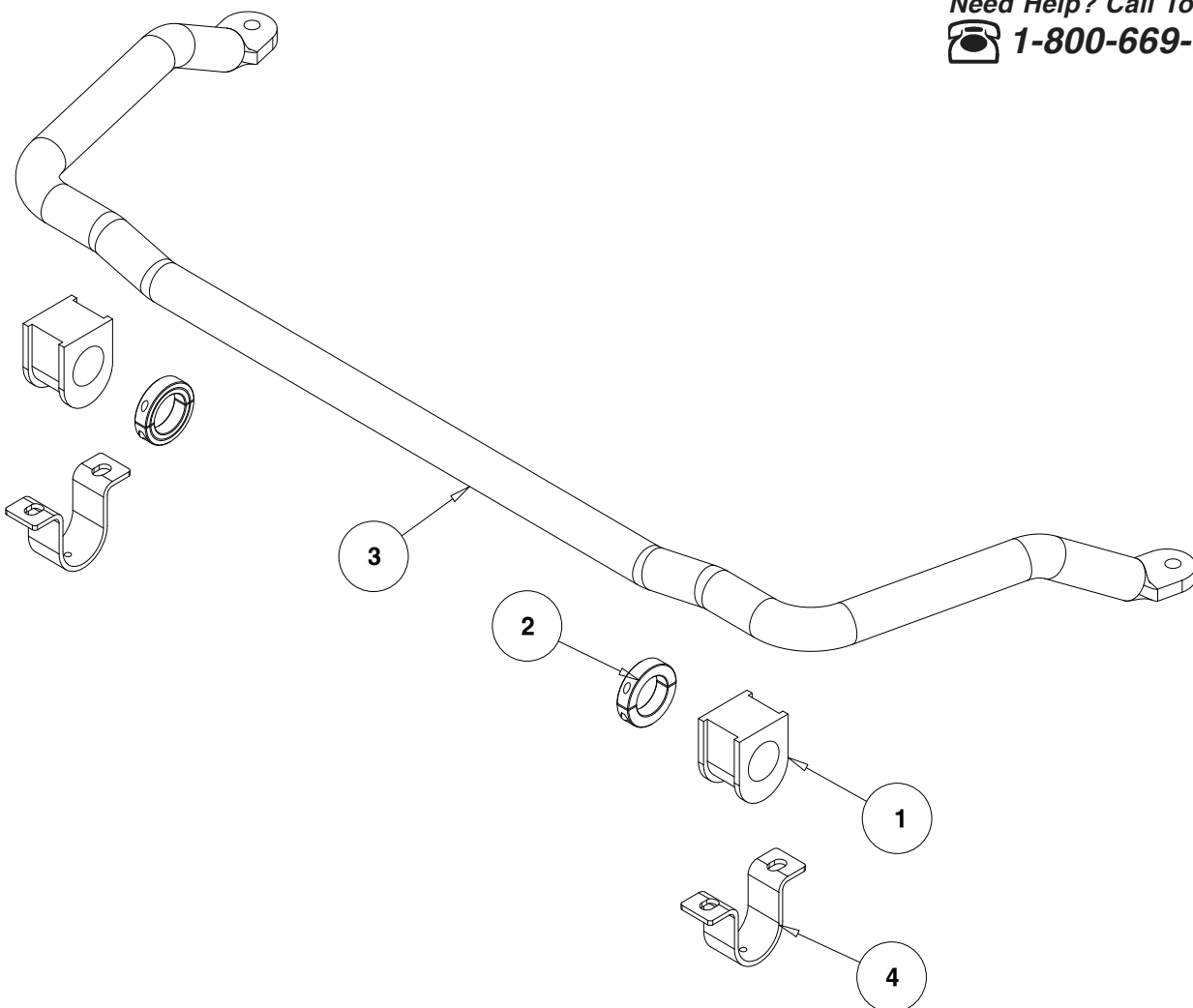
### What You'll Need

Sockets and Wrench  
General Hand tools

### About this kit

1 1/2" diameter  
Fits some 2011-2024 models of the Ford F450/F550s.  
Bar has narrow shoulders for wide wheels/tire clearance.

Need Help? Call Toll-Free  
 **1-800-669-9690**



ITEM..	QTY....	NAME.....	MATERIAL
1.....	2 .....	205540-10.....	BUSHING
2.....	2 .....	350530-10.....	SPLIT RING
3.....	1 .....	580561-00.....	ANTI-SWAY BAR
4.....	2 .....	B140.....	BUSHING CLAMP
5.....	1 .....	400011-30 .....	AQUALUBE
6.....	1 .....	200544-00.....	LOCTITE



# Front Anti-Sway Bar Kit INSTALLATION INSTRUCTIONS

KIT# 1139-101

12/25  
FC

ROADMASTER, Inc. 6110 NE 127th Ave. Vancouver, WA 98682 360-896-0407 www.RoadmasterInc.com

## Installation:

1. Remove the factory OEM bar, if present, and disconnect the end links from the frame. They will be reused on this installation.

2. Remove the factory saddle brackets. Retain this hardware as it will be used for the installation of the new anti-sway bar (Fig. B).

3. Use the provided Aqualube to grease the inside of the bushings. After greasing, place the bushings over the new anti-sway bar.

4. Hang the new anti-sway bar from the factory endlinks. Bolt it into place using the existing bolts (Fig. C).

5. Install the new saddle brackets. Bolt them into place over the bar (Fig. D). Then, tighten the bushing clamp and end link bolts to the proper ft./lbs of 53 ft./lbs. *Note: Use Loctite Threadlocker on the nuts and bolts of the assembly.*

6. Install the double set of collars, place them on each brushing and clamp (Fig E.)

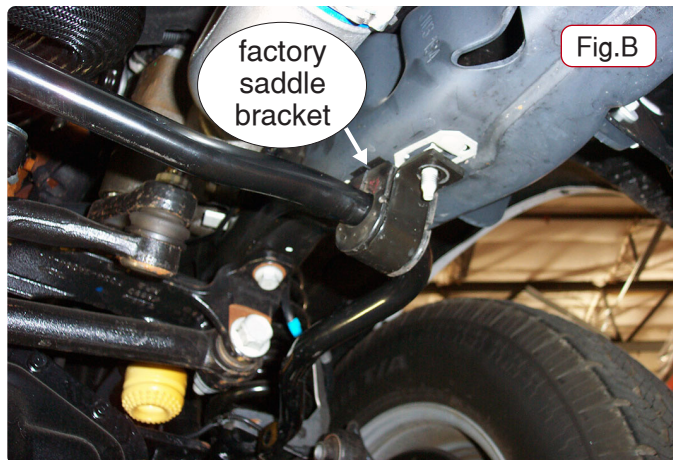


Fig.B



Fig.C



Fig.E



Fig.D

## ⚠ WARNING

The anti-sway bar is heavy, and may cause property damage or personal injury if it falls on equipment, engine components or any part of your body. Ensure that the anti-sway bar is supported and that you are out of the way when removing the brackets.

## ⚠ WARNING

**The anti-sway bar is not a load-bearing component!**  
Do not tow or hoist the vehicle using the anti-sway bar or its mounting brackets as attachment points. The anti-sway bar is not designed to carry the weight of the vehicle and may collapse, which will damage the anti-sway bar components, the suspension, or other components. The vehicle will detach or fall, which may cause severe personal injury.

**Failure to follow the instructions in this packet and the warnings therein may result in property damage, personal injury or even death.**

## ⚠ WARNING

After road testing, re-check all fasteners for proper tightness – if a fastener has worked loose or fallen off, re-tighten or replace it. Without all kit components properly tightened or in place, the anti-sway bar will not stabilize the vehicle at full capacity, which may cause reduced cornering ability or other reductions in vehicle handling or performance.

**Failure to follow these instructions may cause property damage, personal injury or even death.**