



BASEPLATE KIT INSTALLATION INSTRUCTIONS

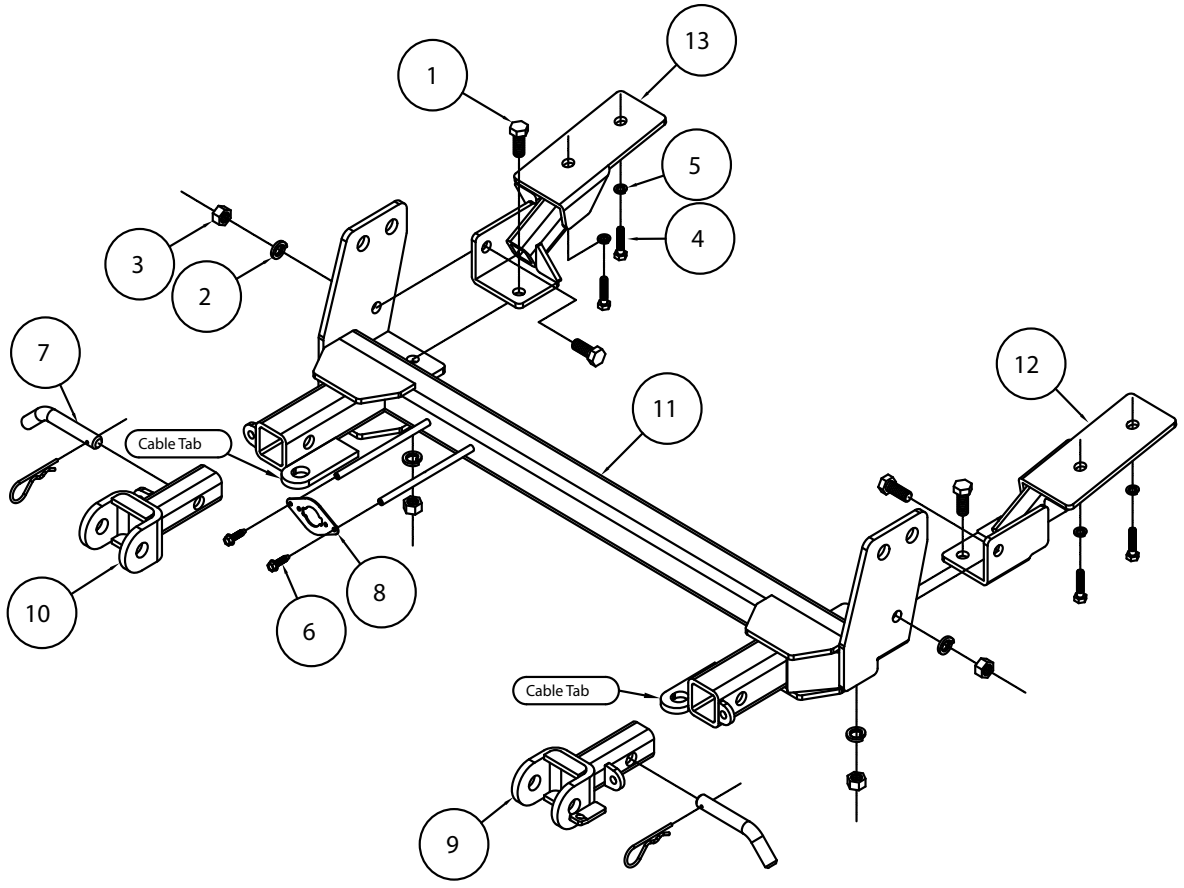
KIT# 292-3

02/26/13
KS

ROADMASTER, Inc. 6110 NE 127th Ave. Vancouver, WA 98682 360-896-0407 fax 360-735-9300 www.roadmasterinc.com

Important
Note: this bracket will not accommodate the Guardian rock shield, some models of the Tow Defender, Stowaway or the StowMaster and StowMaster All Terrain tow bars.

Warning
Maximum weight capacity – 10,000 pounds.
Failure to follow these instructions may cause bracket failure, resulting in property damage, personal injury or even death.



ITEM	QTY	NAME	MATERIAL
1	4	1/2" x 1 1/4" BOLT	350094-00
2	4	1/2" LOCK WASHER	350309-00
3	4	1/2" HEX NUT	350258-00
4	4	10mm x 1.5 x 35mm BOLT	356102-00
5	4	10mm LOCK WASHER	355715-00
6	2	#10 x 3/4" SELF TAPPING SCREW	350247-35
7	2	5/8" DRAW PIN W/CLIP	357035-00
8	1	WIRE PLUG MOUNTING PLATE	A-003801
9	1	DRIVER SIDE ARM	C-001476
10	1	PASSENGER SIDE ARM	C-001477
11	1	MAIN RECEIVER	C-002380
12	1	DRIVER SIDE BRACE	C-002381
13	1	PASSENGER SIDE BRACE	C-002382
14	1	ZIPTIE	300140-8



BASEPLATE KIT INSTALLATION INSTRUCTIONS

KIT# 292-3

02/26/13
KS

ROADMASTER, Inc. 6110 NE 127th Ave. Vancouver, WA 98682 360-896-0407 fax 360-735-9300 www.roadmasterinc.com

This is one of our MX series brackets, which allows the visible front portion of the bracket to be easily removed from the front of the vehicle (Fig.A and Fig.B). The bracket consists of a main receiver brace, two rear braces, two removable front braces, and a hardware pack.

The main receiver brace mounts to the frame rails; the rear braces mount to the main receiver brace and frame rails, and the removable front braces install in the main receiver brace.

Before starting the installation, lay out the kit components in order, as they will be used. This will give you a visual idea of how the components work, and will also confirm that everything is present and accounted for.



IMPORTANT: All baseplates **must** be assembled with all the bolts left loose for final adjustment and positioning (before tightening) unless otherwise instructed. All bolts **must** be torqued for proper strength. If more than one bolt is used per fastening point, the diagram may only show one. Use flat washers over all slotted holes and lock washers on all fasteners.

WARNING

Failure to heed these warnings or follow the installation instructions may result in a voided warranty, loss of towed vehicle, personal injury or death.

- Do not weld or modify this baseplate or its components. Welding or modification will void the warranty.
- Do not use this document as a basis to design/fabricate a baseplate, as it may not show all parts or structural components.
- We strongly recommend professional installation.
- If the towed vehicle has been in an accident, it must be properly repaired before attaching the baseplate. Do not install the baseplate if any structural frame damage is found.
- The installer must use all bolts and parts supplied. If running changes were made by the vehicle manufacturer after this kit was designed, some bolts or other fasteners may no longer be the correct size. It is the installer's responsibility to verify this kit is securely fastened to the vehicle.
- Use Loctite® Red on all bolts used to secure this baseplate. Torque all bolts to the specifications found at the end of these instructions. Do not over-torque the bolts or failure may occur.
- The installer must inspect the baseplate to ensure adequate clearance, particularly around hoses, air conditioner lines, radiators, etc. or non-warranty failure may result.
- Roadmaster manufactures many styles of baseplates. If your baseplate has removable arms, they must be removed before driving the vehicle, unless the arms can be pinned or padlocked in place. If not secured, the arms could vibrate out.
- Some motorhome chassis have such a tight turning radius that you can damage your motorhome, towed vehicle, tow bar or baseplate while turning sharply. Before getting on the road, test your turning radius in an empty parking lot. Turning too sharply could result in non-warranty damage to your towing system, motorhome and/or towed vehicle.
- Do not back up with the towed vehicle attached or non-warranty damage will occur to your towing system or vehicles.
- The safety cables must connect the towing vehicle to the towed vehicle frame to frame, with the cables crossed, with enough slack for sharp turns. See cable instructions for proper routing. Failure to do so will result in non-warranty damage and/or the loss of the towed vehicle.
- This kit is designed for use with ROADMASTER tow bars and ROADMASTER adapters only. Using this kit with other brands, without an approved ROADMASTER adapter, may result in non-warranty damage or injury.
- Receiver extensions and out-of-level towing situations of 3 inches or more. This can cause the system to swing much higher and lower, causing excessive strain on the tow bar, baseplate and frame. That can cause the towing system to fail, causing property damage, personal injury or even death. If you must use a receiver extension or drop hitch to tow, it will reduce your receiver's weight capacity by 1/3 to avoid damaging your system. Never use more than one extension and/or drop hitch, as this will void your warranty.
- Every 3,000 miles, the owner must inspect all mounting points for cracks or fatigue, and check the fasteners for proper torque, according to the bolt torque requirements chart on the last page of these instructions.
- The owner must follow the vehicle manufacturer's instructions to prepare the vehicle for towing. Failure to do so may cause severe damage to the vehicle.
- This baseplate is only warranted for the original installation. Installing a used baseplate on another vehicle is not recommended and will void the warranty.

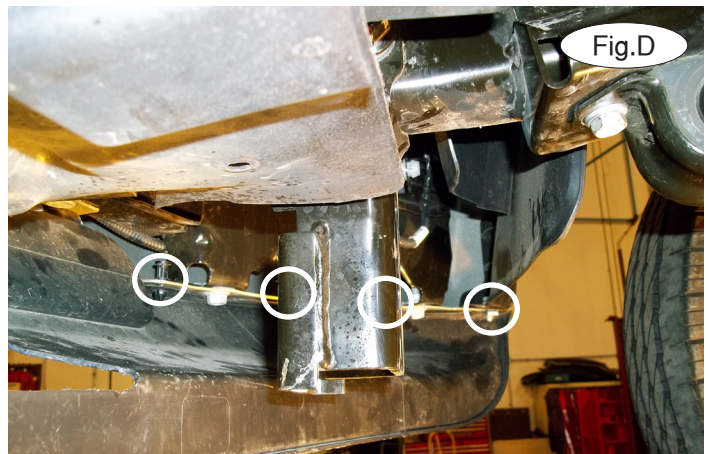


BASEPLATE KIT INSTALLATION INSTRUCTIONS

KIT# 292-3

02/26/13
KS

ROADMASTER, Inc. 6110 NE 127th Ave. Vancouver, WA 98682 360-896-0407 fax 360-735-9300 www.roadmasterinc.com



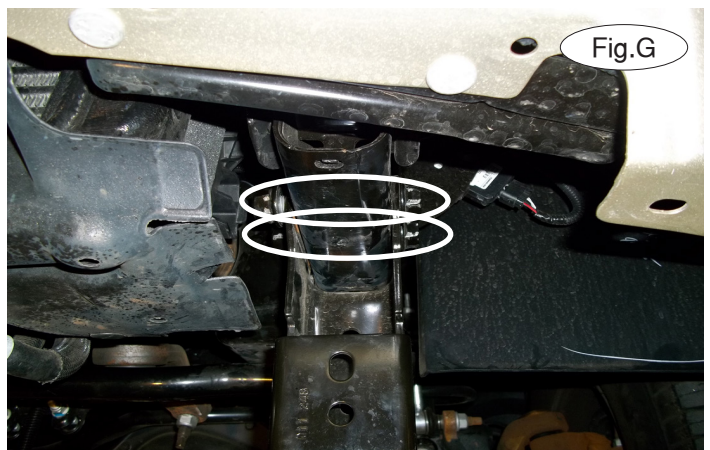
1. **Important:** please use all supplied bolts and parts and read all instructions carefully before beginning this installation. The majority of questions you may have can be answered within the text, and proper installation will ensure safe and secure travel. Now, begin the installation by removing nine plastic fasteners attaching the top of the fascia to the bottom of the bumper (Fig.C).

2. On each side, remove three plastic fasteners and one 10mm (head) bolt attaching the fascia to the bumper (Fig.D). *Note:* two are located behind the frame guard. Remove the fascia from the bumper (Fig.E).



3. On each side, remove two 15mm (head) bolts attaching the sway bar clamp to the frame (Fig.F). Let the sway bar hang down for now.

4. On each side, remove two 24mm (head) bolts and nuts attaching the frame guards to the frame (Fig.G). The frame guards will not be replaced. *Note:* retain the frame guards for replacement in case the bracket is ever removed. The hardware will be used in the next step.



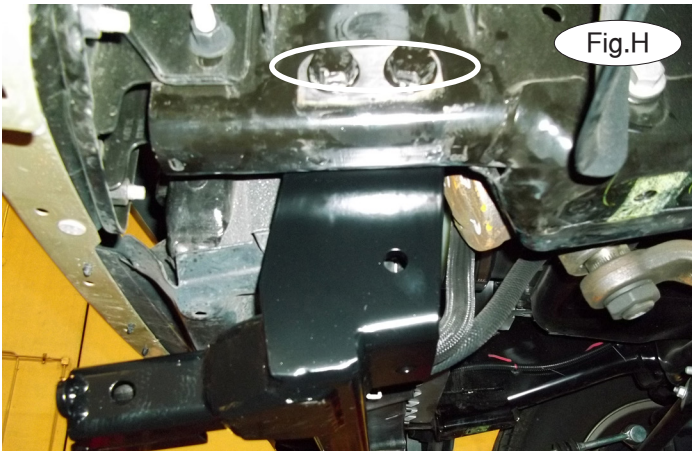


BASEPLATE KIT INSTALLATION INSTRUCTIONS

KIT# 292-3

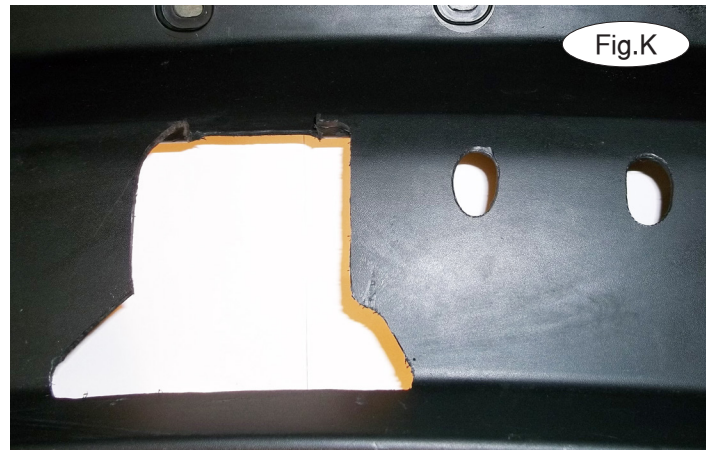
02/26/13
KS

ROADMASTER, Inc. 6110 NE 127th Ave. Vancouver, WA 98682 360-896-0407 fax 360-735-9300 www.roadmasterinc.com



5. Slide the main receiver brace up between the frame rails and bolt through the rear mounts and into the frame guard mounting points using the 24mm (head) bolts and nuts from the previous step (Fig.H). *Note:* ensure proper alignment, as the bolts will receive Loctite® Red and be torqued at the end of these instructions.

6. On each side, bolt the rear brace to the main receiver brace using two of the 1/2" x 1 1/4" bolts, 1/2" lock washers and nuts (Fig.I – driver's side).



7. On each side, align the holes in the rear brace over the sway bar clamp mounting holes. Lift the sway bar into place over the rear brace and bolt through the sway bar clamp, rear brace and into the frame using the two supplied 10mm x 1.5 x 35mm bolts and 10mm lock washers (Fig.J).

8. Hold the fascia in place over the main receiver brace and mark it for trimming. Reference Figure K for trimming on the passenger side. *Note:* the two holes will not need to be trimmed on the driver's side. Figure L shows the completed trimming on the passenger side.

9. Tighten all bolts to the bolt torque requirements found at the end of these instructions. *Note:* use Loctite® Red on all nuts and bolts.

10. Reinstall the fascia, reversing steps 1 and 2.





BASEPLATE KIT INSTALLATION INSTRUCTIONS

KIT# 292-3

02/26/13
KS

ROADMASTER, Inc. 6110 NE 127th Ave. Vancouver, WA 98682 360-896-0407 fax 360-735-9300 www.roadmasterinc.com

- 11. Attach the ends of the safety cables to the tow vehicle's safety cables and tow bar.
- 12. Install the tow bar to the mounting bracket according to the manufacturer's instructions.

Three options for attaching the wiring plug to the main receiver brace

For six-wire plugs: use the two supplied 3/4" self-tapping screws to attach the electrical plug directly to the rods on the front of the main receiver brace.

For four-wire round plugs: attach to the plug mounting plate and then use the two supplied 3/4" self-tapping screws to attach the mounting plate to the rods on the front of the main receiver brace.

For four-wire flat plugs: place the plug through the mounting plug plate, and then secure it using the supplied zip tie on the front of the plug (Fig.M). Use the two supplied 3/4" self-tapping screws to attach the mounting plate to the rods on the front of the main receiver brace.

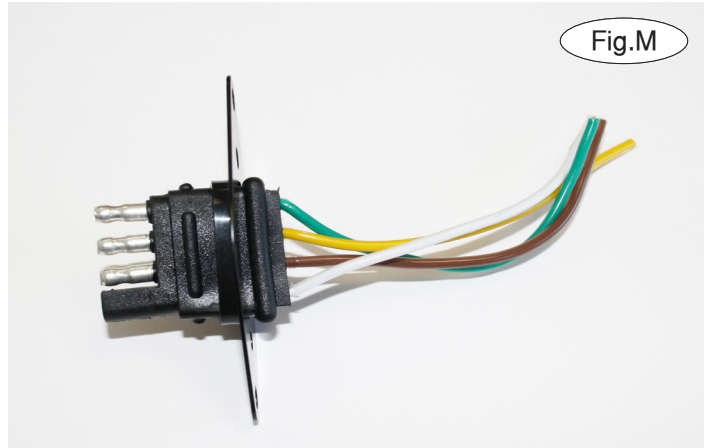


Fig.M

BOLT TORQUE REQUIREMENTS

Note: The torque values represented below are intended as general guidelines. Torque requirements for specific applications may vary. Roadmaster does not warrant this information to be accurate for all applications and disclaims all liability for any claims or damages which may result from its use.

STANDARD BOLTS

Thread Size	Grade	Torque
5/16.....	5.....	13 ft./lb.
3/8.....	5.....	23 ft./lb.
7/16.....	5.....	37 ft./lb.
1/2.....	5.....	56 ft./lb.
5/8.....	5.....	150 ft./lb.

METRIC BOLTS

Thread Size	Grade	Plated / Unplated
8mm-1.0.....	8.8.....	20 ft./lb. 18 ft./lb.
8mm-1.25.....	8.8.....	19 ft./lb. 18 ft./lb.
10mm-1.25.....	8.8.....	38 ft./lb. 36 ft./lb.
10mm-1.5.....	8.8.....	37 ft./lb. 35 ft./lb.

METRIC BOLTS

Thread Size	Grade	Plated / Unplated
12mm-1.25.....	8.8.....	70 ft./lb. 65 ft./lb.
12mm-1.5.....	8.8.....	66 ft./lb. 61 ft./lb.
12mm-1.75.....	8.8.....	65 ft./lb. 60 ft./lb.
14mm-2.0.....	8.8.....	104 ft./lb. 97 ft./lb.

All illustrations and specifications contained herein are based on the latest information available at the time of publication approval. ROADMASTER, INC. reserves the right to make changes at any time without notice in material, specification and models or to discontinue models.