



Bed Protector INSTALLATION INSTRUCTIONS

KIT# 33200

03/26
RS

ROADMASTER, Inc.

6110 NE 127th Ave.

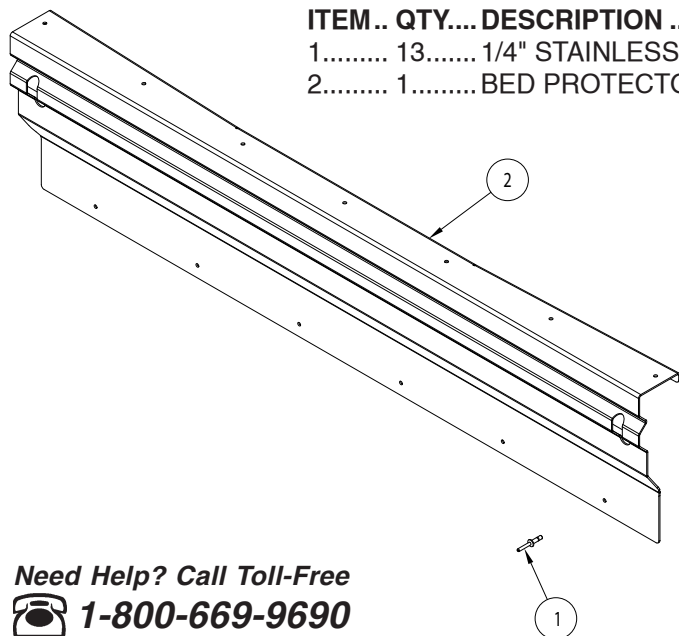
Vancouver, WA 98682

360-896-0407

www.Roadmasterinc.com

What You'll Need

A Rivet Tool, Paint or Marker, 9/32 Drill, and Cardboard or Blanket to protect glass.



ITEM..	QTY....	DESCRIPTION	PART
1.....	13.....	1/4" STAINLESS STEEL RIVET	350433-50
2.....	1.....	BED PROTECTOR	C003497

About this kit:

This is one of our bed protectors meant for a specific vehicle, it is made to protect your truck's bed and items in the bed from damaging the cabin.

Before starting the installation, lay out the kit components in order, as they will be used. This will give you a visual idea of how the components work, and will also confirm that everything is present and accounted for.

IMPORTANT: All illustrations and specifications contained herein are based on the latest information available at the time of publication approval. ROADMASTER, INC. reserves the right to make changes at any time without notice in material, specification and models or to discontinue models.

Need Help? Call Toll-Free

1-800-669-9690

WARNING

Failure to heed these warnings or follow the installation instructions may result in a voided warranty, loss of towed vehicle, personal injury or death.

- Do not weld or modify this bed protector or its components. Welding or modification will void the warranty.
- Do not use this document as a basis to design/fabricate a bed protector, as it may not show all parts or structural components.
- We strongly recommend professional installation.
- If the vehicle has been in an accident, it must be properly repaired before attaching the bed protector. **Do not install the bed protector if any structural frame damage is found.**
- The installer must use all rivets and parts supplied. If running changes were made by the vehicle manufacturer after this kit was designed, some dimensions may have changed. **It is the installer's responsibility** to verify this protector is secured to the vehicle.
- **This bed protector is only warranted for the original installation.** Installing a used bed protector on another vehicle is not recommended and will void the warranty.



IMPORTANT: Please use all supplied hardware and read through these instructions carefully before beginning this installation. The majority of questions you may have can be answered within the text, and proper installation will ensure safe and secure travel.



Bed Protector INSTALLATION INSTRUCTIONS

KIT# 33200

03/26
RS

ROADMASTER, Inc.

6110 NE 127th Ave.

Vancouver, WA 98682

360-896-0407

www.Roadmasterinc.com

1. Clean and prepare the truck bed by making sure no liquid or other waste is where the protector will be secured.

2. Align the protector with the front of the truck bed, about 2-1/2" inches from each side (Fig.C)

3. Mark or paint a marker for each hole in the protector (Fig.D)

4. Remove the protector and then drill the marked holes, making sure to be careful to not breach the cabin on the lower holes (Fig.E).

5. Put the protector back onto the bed, aligned with the holes.

6. Secure the protector to the bed on each of the four corners with the provided rivets (Fig.F).

7. Secure the remaining rivets in place (Fig.G).

IMPORTANT: Please be aware it is the owner's responsibility to ensure the rivets of the protector are secure. Otherwise, failure of the bed protector will result.

