



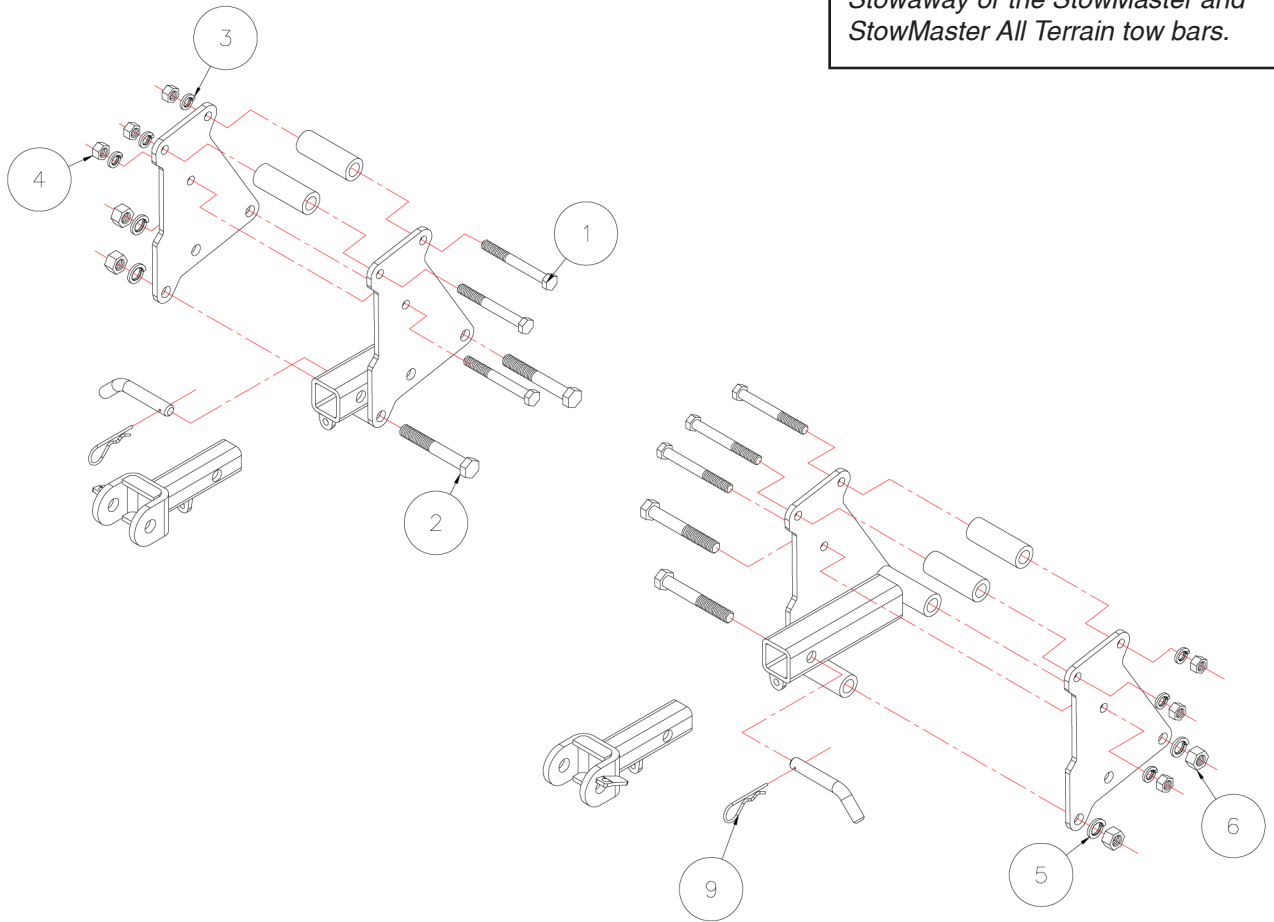
# BASEPLATE KIT INSTALLATION INSTRUCTIONS

**KIT# 494-3**

12/26/07  
KS

ROADMASTER, Inc. 6110 NE 127th Ave. Vancouver, WA 98682 360-896-0407 fax 360-735-9300 www.roadmasterinc.com

**Important**  
Note: this bracket will not accommodate the Guardian rock shield, some models of the Tow Defender, Stowaway or the StowMaster and StowMaster All Terrain tow bars.



Item	Qty	Length	Width	Hardware	Part No.
1	6	5 1/2"	1/2"	BOLT	350108-00
2	4	5 1/2"	5/8"	BOLT	350161-00
3	6		1/2"	LOCK WASHER	350309-00
4	6		1/2"	NUT	350258-00
5	4		5/8"	LOCK WASHER	350313-00
6	4		5/8"	NUT	350262-00
9	2			DRAW PIN/SPRING PIN	357035-00

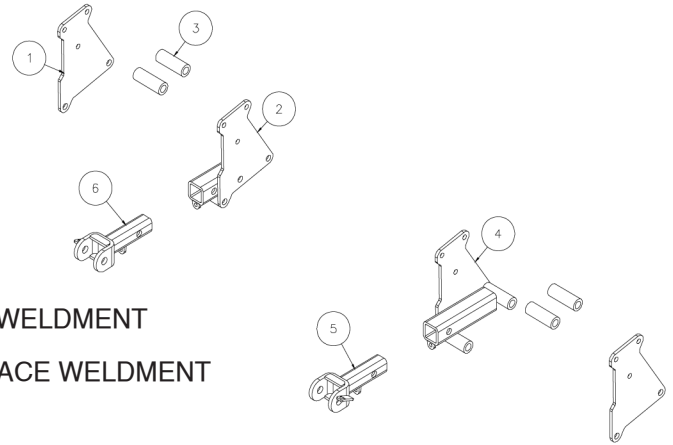


# BASEPLATE KIT INSTALLATION INSTRUCTIONS

**KIT# 494-3**

12/26/07  
KS

ROADMASTER, Inc. 6110 NE 127th Ave. Vancouver, WA 98682 360-896-0407 fax 360-735-9300 www.roadmasterinc.com



Item	Qty	Part No.	Assembly
1.....	1.....	C-000703	DRIVER SIDE RECEIVER BRACE WELDMENT
2.....	1.....	C-000704	PASSENGER SIDE RECEIVER BRACE WELDMENT
3.....	1.....	C-000708	DRIVER SIDE ARM WELDMENT
4.....	1.....	C-000709	PASSENGER SIDE ARM WELDMENT
5.....	4.....	A-001190	1 1/4" O.D. x 3 1/2" x .250 WALL TUBE
6.....	2.....	A-001191	BACKING PLATE

**IMPORTANT:** All baseplates **must** be assembled with all the bolts left loose for final adjustment and positioning (before tightening) unless otherwise instructed. All bolts **must** be torqued for proper strength. If more than one bolt is used per fastening point, the diagram may only show one. Use flat washers over all slotted holes and lock washers on all fasteners.

## WARNING

Failure to heed these warnings or follow the installation instructions may result in a voided warranty, loss of towed vehicle, personal injury or death.

- Do not weld or modify this baseplate or its components. Welding or modification will void the warranty.
- Do not use this document as a basis to design/fabricate a baseplate, as it may not show all parts or structural components.
- We strongly recommend professional installation.
- If the towed vehicle has been in an accident, it must be properly repaired before attaching the baseplate. Do not install the baseplate if any structural frame damage is found.
- The installer must use all bolts and parts supplied. If running changes were made by the vehicle manufacturer after this kit was designed, some bolts or other fasteners may no longer be the correct size. It is the installer's responsibility to verify this kit is securely fastened to the vehicle.
- Use Loctite® Red on all bolts used to secure this baseplate. Torque all bolts to the specifications found at the end of these instructions. Do not over-torque the bolts or failure may occur.
- The installer must inspect the baseplate to ensure adequate clearance, particularly around hoses, air conditioner lines, radiators, etc. or non-warranty failure may result.
- Roadmaster manufactures many styles of baseplates. If your baseplate has removable arms, they must be removed before driving the vehicle, unless the arms can be pinned or padlocked in place. If not secured, the arms could vibrate out.
- Some motorhome chassis have such a tight turning radius that you can damage your motorhome, towed vehicle, tow bar or baseplate while turning sharply. Before getting on the road, test your turning radius in an empty parking lot. Turning too sharply could

result in non-warranty damage to your towing system, motorhome and/or towed vehicle.

- Do not back up with the towed vehicle attached or non-warranty damage will occur to your towing system or vehicles.
- The safety cables must connect the towing vehicle to the towed vehicle frame to frame, with the cables crossed, with enough slack for sharp turns. See cable instructions for proper routing. Failure to do so will result in non-warranty damage and/or the loss of the towed vehicle.
- This kit is designed for use with ROADMASTER tow bars and ROADMASTER adapters only. Using this kit with other brands, without an approved ROADMASTER adapter, may result in non-warranty damage or injury.
- Receiver extensions and out-of-level towing situations of 3 inches or more. This can cause the system to swing much higher and lower, causing excessive strain on the tow bar, baseplate and frame. That can cause the towing system to fail, causing property damage, personal injury or even death. If you must use a receiver extension or drop hitch to tow, it will reduce your receiver's weight capacity by 1/3 to avoid damaging your system. Never use more than one extension and/or drop hitch, as this will void your warranty.
- Every 3,000 miles, the owner must inspect all mounting points for cracks or fatigue, and check the fasteners for proper torque, according to the bolt torque requirements chart on the last page of these instructions.
- The owner must follow the vehicle manufacturer's instructions to prepare the vehicle for towing. Failure to do so may cause severe damage to the vehicle.
- This baseplate is only warranted for the original installation. Installing a used baseplate on another vehicle is not recommended and will void the warranty.



# BASEPLATE KIT INSTALLATION INSTRUCTIONS

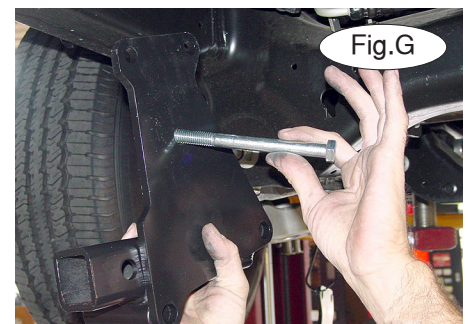
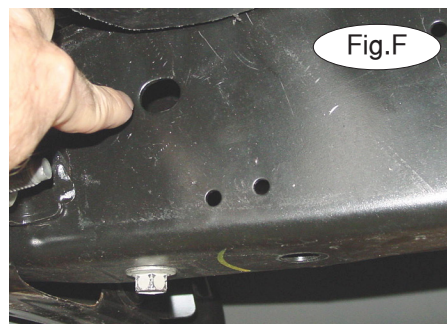
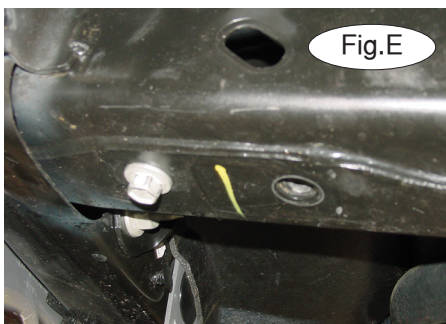
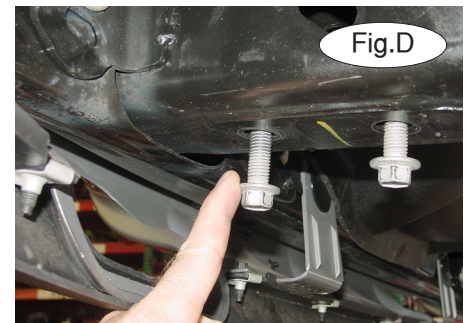
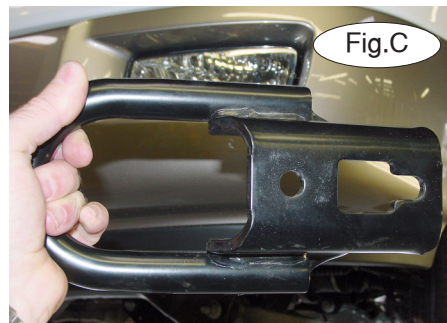
**KIT# 494-3**

12/26/07  
KS

ROADMASTER, Inc. 6110 NE 127th Ave. Vancouver, WA 98682 360-896-0407 fax 360-735-9300 www.roadmasterinc.com

This bracket kit is one of our XL series, which allows you to remove the most visual portion of the bracket (Fig.A). The kit consists of two receiver braces, two front braces and a hardware pack. The receiver braces are designed to mount to the frame tubes on each side in place of the existing tow hooks. Start by laying out the kit as illustrated to check parts and placement of parts.

1. **Important:** please use all supplied bolts and parts and read all instructions carefully before beginning this installation. The majority of questions you may have can be answered within the text, and proper installation will ensure safe and secure travel. Now, begin the installation.



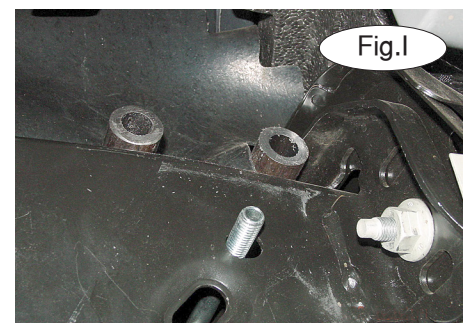
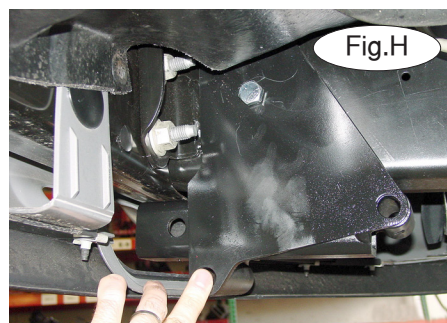
Remove the tow hooks on each side by removing two front bolts and loosening the rear bolts (Fig.B). Slide the hooks back off the rear bolt (Fig.C).

2. Now put the front bolts back in and tighten down (Fig.D,E), then remove the rear bolt on each side (Fig.E).

3. Working on one side at a time, find the hole in the frame located above the tow hook mounting area

and put a 1/2" x 5 1/2" bolt through the brace and the frame from the inside of the frame (Fig.F,G,H).

4. Put two bolts over the top of the frame then follow with two 3 1/2" pipe spacers (Fig.I).





# BASEPLATE KIT INSTALLATION INSTRUCTIONS

**KIT# 494-3**

12/26/07  
KS

ROADMASTER, Inc. 6110 NE 127th Ave. Vancouver, WA 98682 360-896-0407 fax 360-735-9300 www.roadmasterinc.com

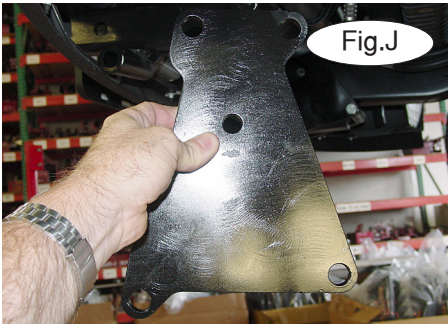


Fig.J

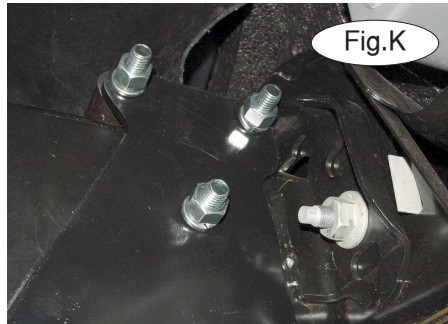


Fig.K

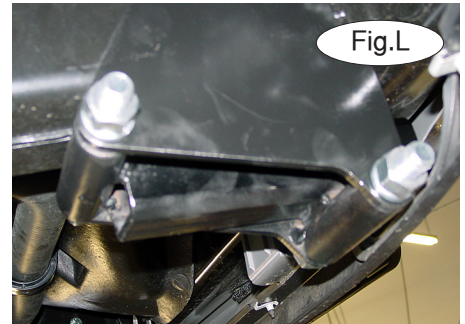


Fig.L

5. Position the outside plate (Fig.J) over the three bolts and two top spacers then secure with 1/2" lock washers and nuts (Fig.K).

6. Follow with two more 5/8" x 5 1/2" bottom bolts, lock washers and nuts (Fig.L). Torque all bolts to the bolt torque requirements below.

7. Repeat steps 3 through 6 for the remaining side.

8. Insert the front braces into the receiver braces and secure with 5/8" draw pins and 3/16" safety pins (Fig.M).

9. Align the braces with each other then torque all mounting bolts to the specifications below.

10. Install the tow bar according to the manufacturer's instructions.

11. Attach one end of the included 14" safety cables to the lower front hole in the side mounting plate on each side of the receiver brace with the included cable connectors. Connect the other end to the tow vehicle's safety cables and the tow bar (Fig.M).

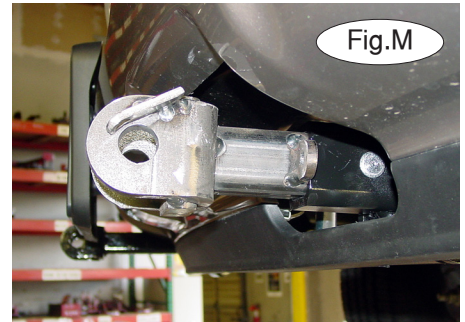


Fig.M

## BOLT TORQUE REQUIREMENTS

Note: The torque values represented below are intended as general guidelines. Torque requirements for specific applications may vary. Roadmaster does not warrant this information to be accurate for all applications and disclaims all liability for any claims or damages which may result from its use.

### STANDARD BOLTS

Thread Size	Grade	Torque
5/16	5	13 ft./lb.
3/8	5	23 ft./lb.
7/16	5	37 ft./lb.
1/2	5	56 ft./lb.
5/8	5	150 ft./lb.

### METRIC BOLTS

Thread Size	Grade	Plated / Unplated
8mm-1.0	8.8	20 ft./lb. 18 ft./lb.
8mm-1.25	8.8	19 ft./lb. 18 ft./lb.
10mm-1.25	8.8	38 ft./lb. 36 ft./lb.
10mm-1.5	8.8	37 ft./lb. 35 ft./lb.

### METRIC BOLTS

Thread Size	Grade	Plated / Unplated
12mm-1.25	8.8	70 ft./lb. 65 ft./lb.
12mm-1.5	8.8	66 ft./lb. 61 ft./lb.
12mm-1.75	8.8	65 ft./lb. 60 ft./lb.
14mm-2.0	8.8	104 ft./lb. 97 ft./lb.

All illustrations and specifications contained herein are based on the latest information available at the time of publication approval. ROADMASTER, INC. reserves the right to make changes at any time without notice in material, specification and models or to discontinue models.