



BASEPLATE KIT INSTALLATION INSTRUCTIONS

KIT# 523214-5

07/25/23
KS

ROADMASTER, Inc. 6110 NE 127th Ave. Vancouver, WA 98682 360-896-0407 fax 360-735-9300 www.roadmasterinc.com

What You'll Need

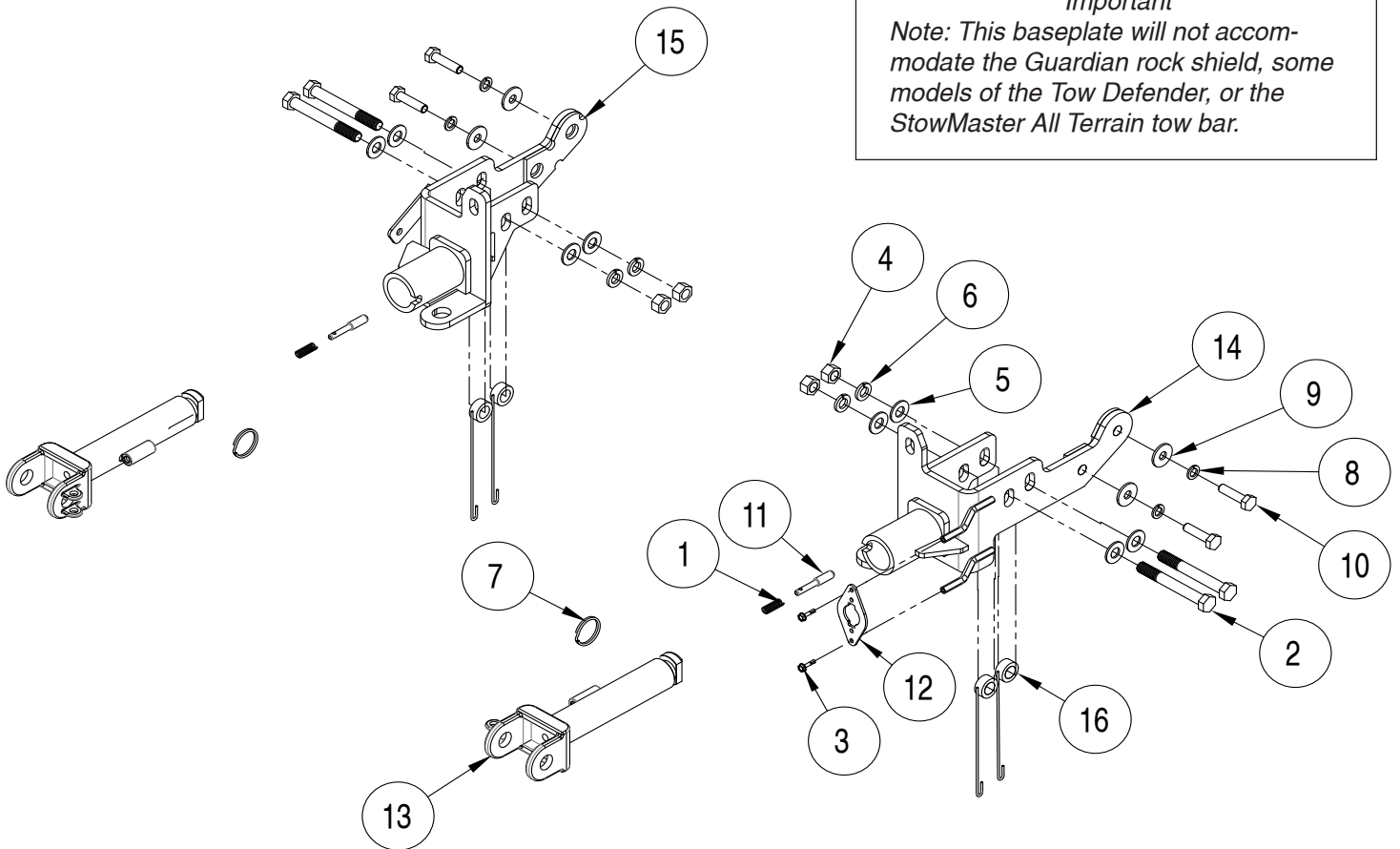
T15, T30 and T50 Torx drivers
10, 13, 15, and 18mm sockets
11/16", 3/4" sockets
3/4" wrenches

Ratchets
17/32" bit and drill
Needlenose pliers
Reciprocating saw

Permanent marker
Torque wrench
Loctite® Red
Tape measure

Important

Note: This baseplate will not accommodate the Guardian rock shield, some models of the Tow Defender, or the StowMaster All Terrain tow bar.



ITEM	QTY	DESCRIPTION	PART NUMBER
1.....2.....		SPRING.....	200146-00
2.....4.....		1/2" x 4" BOLT	350105-00
3.....2.....		#10 x 3/4" SELF DRILLING SCREW.....	350247-35
4.....4.....		1/2" HEX NUT	350258-00
5.....8.....		1/2" SAE WASHER.....	350308-20
6.....4.....		1/2" LOCK WASHER	350309-00
7.....2.....		RING.....	350520-00
8.....4.....		M10 LOCK WASHER	355715-00
9.....4.....		M10 FENDER WASHER	355716-00
10.....4.....		M10 x 1.5 x 40 mm BOLT	356103-00
11.....2.....		LOCK PIN.....	A000008
12.....1.....		WIRE PLUG PLATE	A003801
13.....2.....		ARM.....	C002383
14.....1.....		DRIVER SIDE RECEIVER	C003611
15.....1.....		PASSENGER SIDE RECEIVER.....	C003612
16.....4.....		1" O.D. x 7/16" PIPE SPACER W/ 6" HANDLE.....	C003613



BASEPLATE KIT INSTALLATION INSTRUCTIONS

KIT# 523214-5

07/25/23
KS

ROADMASTER, Inc. 6110 NE 127th Ave. Vancouver, WA 98682 360-896-0407 fax 360-735-9300 www.roadmasterinc.com

This is one of our direct-connect baseplates, which allows the visible front portion of the bracket to be easily removed from the front of the vehicle (Fig.A and Fig.B).

The baseplate mounts to the frame of the vehicle and consists of two side-specific braces, two removable front braces, and a hardware pack.

Before starting the installation, lay out the kit components in order, as they will be used. This will give you a visual idea of how the components work, and will also confirm that everything is present and accounted for.



IMPORTANT: All baseplates **must** be assembled with all the bolts left loose for final adjustment and positioning (before tightening) unless otherwise instructed. All bolts **must** be torqued for proper strength. If more than one bolt is used per fastening point, the diagram may only show one. Use flat washers over all slotted holes and lock washers on all fasteners.

WARNING

Failure to heed these warnings or follow the installation instructions may result in a voided warranty, loss of towed vehicle, personal injury or death.

- Do not weld or modify this baseplate or its components. Welding or modification will void the warranty.
- Do not use this document as a basis to design/fabricate a baseplate, as it may not show all parts or structural components.
- We strongly recommend professional installation.
- If the towed vehicle has been in an accident, it must be properly repaired before attaching the baseplate. Do not install the baseplate if any structural frame damage is found.
- The installer must use all bolts and parts supplied. If running changes were made by the vehicle manufacturer after this kit was designed, some bolts or other fasteners may no longer be the correct size. It is the installer's responsibility to verify this kit is securely fastened to the vehicle.
- Use Loctite® Red on all bolts used to secure this baseplate. Torque all bolts to the specifications found at the end of these instructions. Do not over-torque the bolts or failure may occur.
- The installer must inspect the baseplate to ensure adequate clearance, particularly around hoses, air conditioner lines, radiators, etc. or non-warranty failure may result.
- Roadmaster manufactures many styles of baseplates. If your baseplate has removable arms, they must be removed before driving the vehicle, unless the arms can be pinned or padlocked in place. If not secured, the arms could vibrate out.
- Some motorhome chassis have such a tight turning radius that you can damage your motorhome, towed vehicle, tow bar or baseplate while turning sharply. Before getting on the road, test your turning radius in an empty parking lot. Turning too sharply could result in non-warranty damage to your towing system, motorhome and/or towed vehicle.
- Do not back up with the towed vehicle attached or non-warranty damage will occur to your towing system or vehicles.
- The safety cables must connect the towing vehicle to the towed vehicle frame to frame, with the cables crossed, with enough slack for sharp turns. See cable instructions for proper routing. Failure to do so will result in non-warranty damage and/or the loss of the towed vehicle.
- This kit is designed for use with ROADMASTER tow bars and ROADMASTER adapters only. Using this kit with other brands, without an approved ROADMASTER adapter, may result in non-warranty damage or injury.
- Receiver extensions and out-of-level towing situations of 3 inches or more. This can cause the system to swing much higher and lower, causing excessive strain on the tow bar, baseplate and frame. That can cause the towing system to fail, causing property damage, personal injury or even death. If you must use a receiver extension or drop hitch to tow, it will reduce your receiver's weight capacity by 1/3 to avoid damaging your system. Never use more than one extension and/or drop hitch, as this will void your warranty.
- Every 3,000 miles, the owner must inspect all mounting points for cracks or fatigue, and check the fasteners for proper torque, according to the bolt torque requirements chart on the last page of these instructions.
- The owner must follow the vehicle manufacturer's instructions to prepare the vehicle for towing. Failure to do so may cause severe damage to the vehicle.
- This baseplate is only warranted for the original installation. Installing a used baseplate on another vehicle is not recommended and will void the warranty.



BASEPLATE KIT INSTALLATION INSTRUCTIONS

KIT# 523214-5

07/25/23
KS

ROADMASTER, Inc. 6110 NE 127th Ave. Vancouver, WA 98682 360-896-0407 fax 360-735-9300 www.roadmasterinc.com



Fig.C

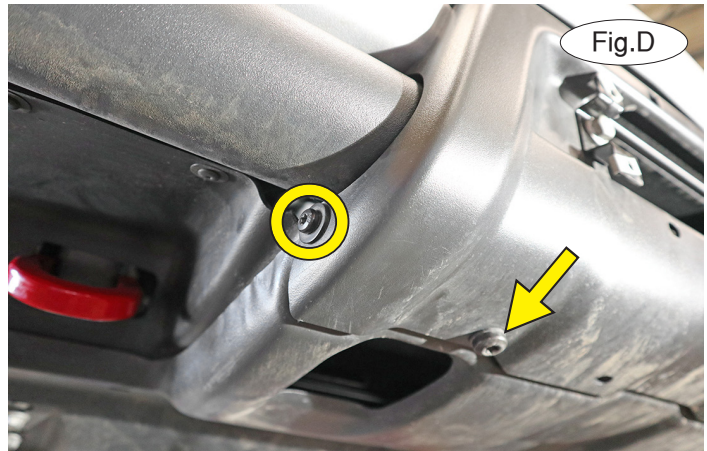


Fig.D

Important: Please use all supplied hardware and read through these instructions carefully before beginning this installation. The majority of questions you may have can be answered within the text, and proper installation will ensure safe and secure travel.

1. Remove the license plate and holder, if the vehicle is so equipped, by removing four T15 screws attaching it to the bumper (Fig.C). Set the holder aside for now.

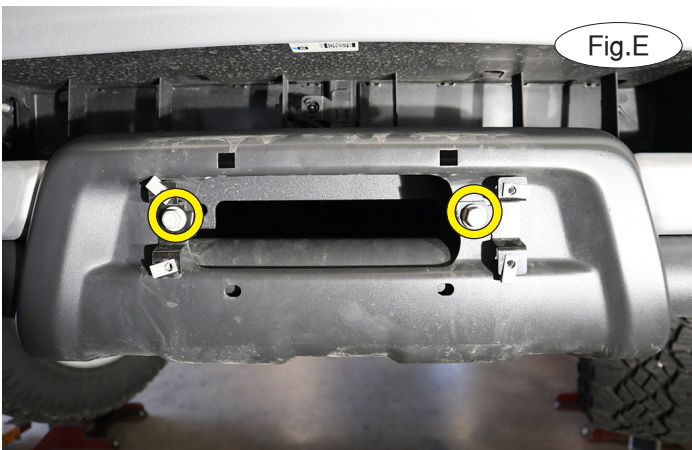


Fig.E

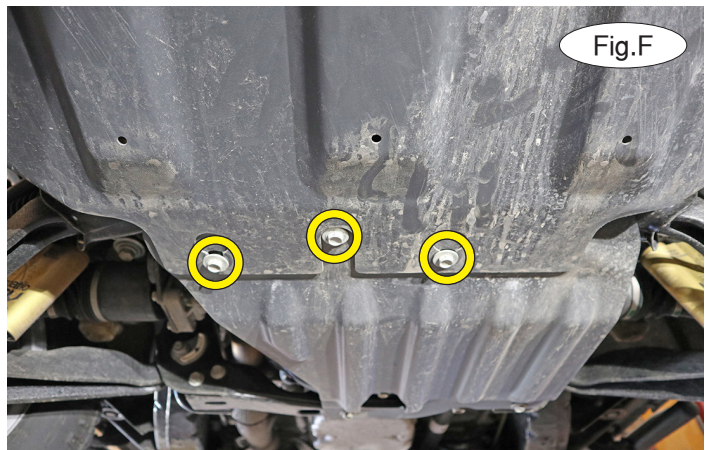


Fig.F

2. On each side, remove one T50 (Fig.D – arrow) and one T30 Torx bolt (Fig.D – circle) attaching the upper portion of the skid plate to the bumper.

3. Remove two 15mm bolts attaching the upper portion of the skid plate to the bumper (Fig.E). *Note: Ensure that you note the direction of the side-specific license plate holder mounts, so that you replace them correctly at the end of this installation.* Set the upper portion of the skid plate aside for now.

4. Remove three 15mm bolts attaching the rear of the skid plate to the subframe (Fig.F).

5. Remove two 15mm bolts attaching the midsection of the skid plate to the subframe (Fig.G).



Fig.G

All illustrations and specifications contained herein are based on the latest information available at the time of publication approval. ROADMASTER, INC. reserves the right to make changes at any time without notice in material, specification and models or to discontinue models.

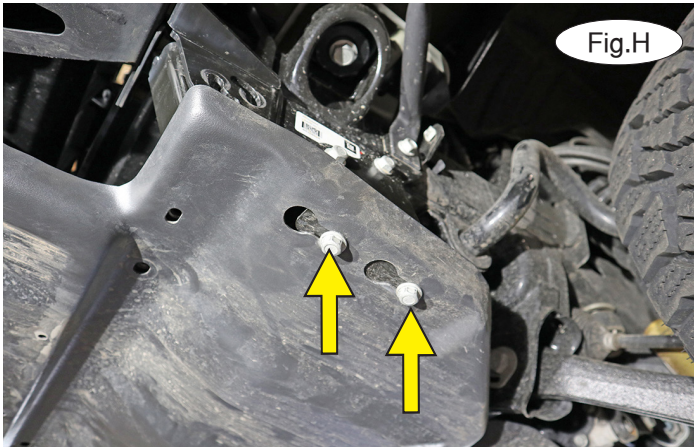


BASEPLATE KIT INSTALLATION INSTRUCTIONS

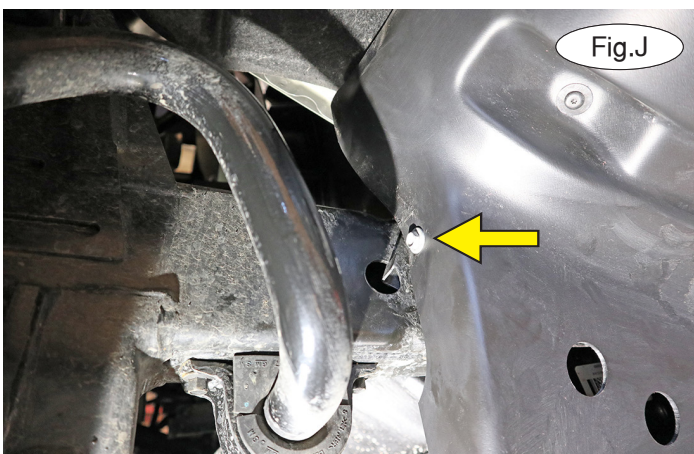
KIT# 523214-5

07/25/23
KS

ROADMASTER, Inc. 6110 NE 127th Ave. Vancouver, WA 98682 360-896-0407 fax 360-735-9300 www.roadmasterinc.com



6. On each side, fully loosen but do NOT remove two 15mm bolts attaching the side of the skidplate to the subframe (Fig.H). Then, slide it to the rear of the vehicle to remove it (Fig.I). Set the skid plate aside for now.



7. Working on the passenger side only, remove one 10mm bolt attaching the rear of the splash guard to the frame (Fig.J). Then, remove two T15 screws attaching the outer portion of the splash guard to the rear of the bumper (Fig.K). Remove four T15 screws attaching the front portion of the splash guard to the bottom of the bumper (Fig.L). Pull the splash guard toward the center and then forward to maneuver it around the tow hook (Fig.M). Set it aside for now.



All illustrations and specifications contained herein are based on the latest information available at the time of publication approval. ROADMASTER, INC. reserves the right to make changes at any time without notice in material, specification and models or to discontinue models.

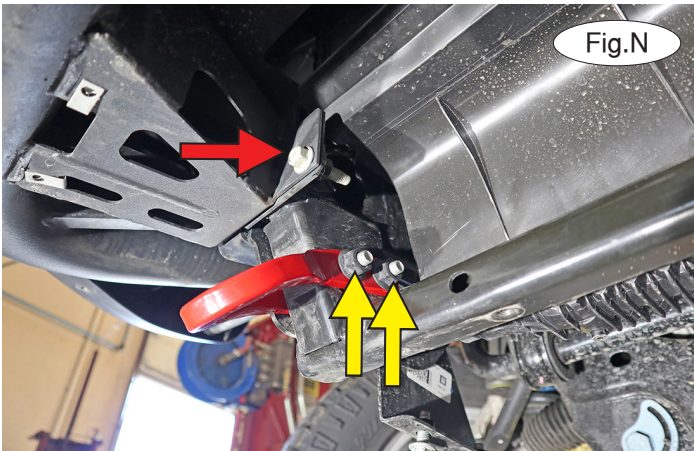


BASEPLATE KIT INSTALLATION INSTRUCTIONS

KIT# 523214-5

07/25/23
KS

ROADMASTER, Inc. 6110 NE 127th Ave. Vancouver, WA 98682 360-896-0407 fax 360-735-9300 www.roadmasterinc.com



8. Using an 18mm socket and wrench, remove the two bolts and nuts attaching the tow hook to the frame (Fig.N – yellow arrows). The tow hook and its hardware will not be replaced. Then, remove one 15mm bolt attaching the inside lower section of the bumper to the frame (Fig.N – red arrow).

9. On each side, remove two 15mm bolts attaching the frame bracket to the skid plate (Fig.O).



10. Repeat steps 7 through 9 for the driver's side.

11. Starting on the driver's side, refer to page 1 for the side-specific brace and slide it over the tow hook mount, loosely replacing the 15mm bolt removed in step 9. Place Loctite on the bolt. Using a 17/32" drill bit, drill through the side of the brace for both mounts, enlarge the holes to 17/32" (Fig.P).

12. Place a 1/2" flat washer over each of the two 1/2" x 4" bolts. Locate two of the 7/16" spacers with rod. Starting with the rear mount, place the spacer with rod between the outer factory brace and the tow hook mount (Fig.Q). The spacer bridges the gap, replacing the thickness of the tow hook. Finish each bolt with Loctite, a 1/2" flat washer, a 1/2" lock washer and a 1/2" nut (Fig.Q).



13. Place an M10 lock washer and M10 fender washer over each of the M10 x 1.5 x 40mm bolts and then slide the skid plate frame bracket between the frame and the baseplate. Then, bolt through the two rear mounts (Fig.R).

14. Apply upward pressure to the baseplate and then tighten the 15mm bolt from step 11, and then the 1/2" hardware you installed in step 12. Bend the rods from the spacers toward the rear of the vehicle.



BASEPLATE KIT INSTALLATION INSTRUCTIONS

KIT# 523214-5

07/25/23
KS

ROADMASTER, Inc. 6110 NE 127th Ave. Vancouver, WA 98682 360-896-0407 fax 360-735-9300 www.roadmasterinc.com

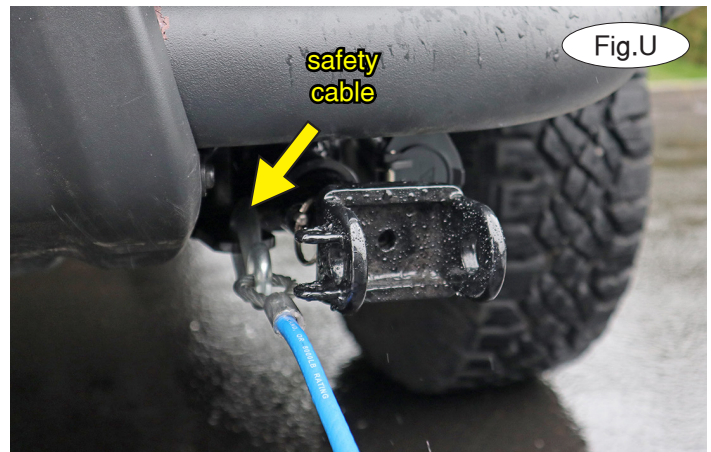


15. Repeat steps 11 through 14 for the passenger side.

16. On each side, trim the splash guard as shown (Fig.S, left, untrimmed) and (Fig.S, right, trimmed)) and reinstall it by reversing step 7 (Fig.T). Then, reinstall the skid plate and license plate holder by reversing steps 1 through 6.

17. On each side, insert the removable front arm into the front receiver 90 degrees from its final towing position, depressing the spring-loaded pin against the receiver. Twist back 90 degrees until the spring-loaded pin snaps into place in the notch on the receiver, locking the arm into place in its final towing position. **Please note: It is the owner's responsibility to ensure the locking of the pins before towing. Otherwise, failure of the towing system will result.**

18. Install the tow bar to the baseplate according to the manufacturer's instructions.



IMPORTANT!

Safety cables are required by law. When towing, connect safety cables to the safety cable tabs illustrated on the first page and in Figure U. Make certain there is adequate slack in the cables to allow a full turning radius; otherwise, damage will result. If necessary, longer cables or cable extensions are available.



BASEPLATE KIT INSTALLATION INSTRUCTIONS

KIT# 523214-5

07/25/23
KS

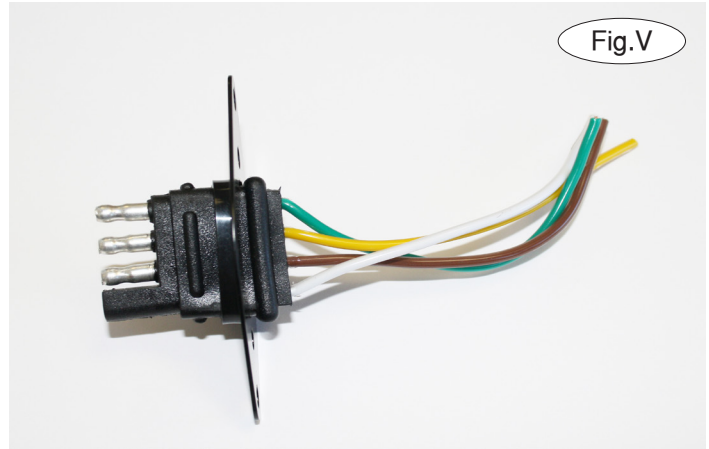
ROADMASTER, Inc. 6110 NE 127th Ave. Vancouver, WA 98682 360-896-0407 fax 360-735-9300 www.roadmasterinc.com

Three options for attaching the wiring plug to the main receiver brace

For six-wire plugs: Use the two supplied 3/4" self-tapping screws to attach the electrical plug directly to the rods on the front of the main receiver brace.

For four-wire round plugs: Attach to the plug mounting plate and then use the two supplied 3/4" self-tapping screws to attach the mounting plate to the rods on the front of the main receiver brace.

For four-wire flat plugs: Place the plug through the mounting plug plate, and then secure it using the supplied zip tie on the front of the plug (Fig.V). Use the two supplied 3/4" self-tapping screws to attach the mounting plate to the rods on the front of the main receiver brace.



BOLT TORQUE REQUIREMENTS

Note: The torque values represented below are intended as general guidelines. Torque requirements for specific applications may vary. Roadmaster does not warrant this information to be accurate for all applications and disclaims all liability for any claims or damages which may result from its use.

STANDARD BOLTS

Thread Size	Grade	Torque
5/16-18	5	13 ft./lb.
3/8-16	5	23 ft./lb.
7/16-14	5	37 ft./lb.
1/2-13	5	57 ft./lb.
5/8-11	5	112 ft./lb.

METRIC BOLTS

Thread Size	Grade	Torque
6mm-1.0	8.8	6 ft./lb.
8mm-1.0	8.8	18 ft./lb.
8mm-1.25	8.8	16 ft./lb.
10mm-1.25	8.8	36 ft./lb.
10mm-1.5	8.8	31 ft./lb.

METRIC BOLTS

Thread Size	Grade	Torque
12mm-1.25	8.8	64 ft./lb.
12mm-1.5	8.8	60 ft./lb.
12mm-1.75	8.8	55 ft./lb.
14mm-2.0	8.8	88 ft./lb.

All illustrations and specifications contained herein are based on the latest information available at the time of publication approval. ROADMASTER, INC. reserves the right to make changes at any time without notice in material, specification and models or to discontinue models.