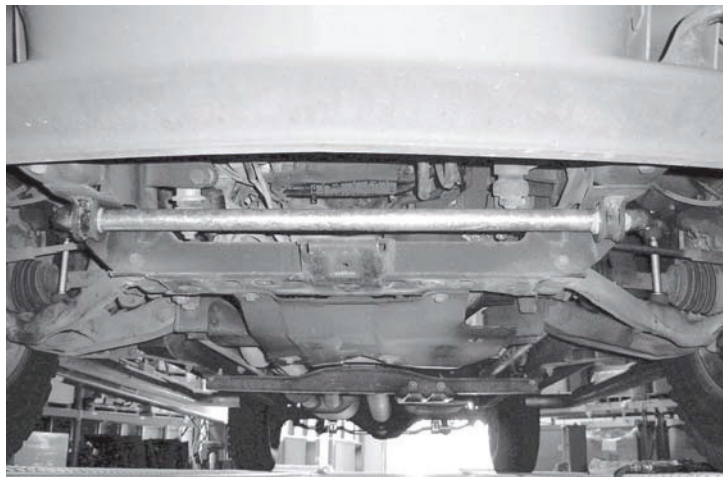




Installation Instructions

Polyurethane Front Bushing Kit for the Dodge Ram 1500 & 2500 (1996-2002)

part #590052-00/590053-00



INTRODUCTION

Thank you for purchasing this bushing kit. This kit is designed to improve the handling characteristics of your Dodge Ram 1500/2500 by reducing the body roll and balancing the weight transfer during cornering. The bushing kit is engineered for long life and trouble-free performance.

All the hardware needed for installation is included in this kit. Refer to the PARTS LIST in these instructions to identify the parts.

SUGGESTED TOOLS

The following tools are suggested to complete the installation procedures:

- Standard and metric socket and wrenches

WARNING

- If raising the vehicle to install the anti-sway bar, always support the vehicle with jack stands at both frame rails or at the rear axle before working underneath. Ensure that the jack stands are securely positioned, and are rated at or above the weight of the vehicle.
- The installer must read the instructions and use all bolts and parts supplied. Use only the parts supplied by ROADMASTER to install this kit.
- Minor modifications are sometimes necessary due to slight vehicle variations, even for the same year, make and model.
- If running changes were made by the manufacturer after this kit was designed, there may be weldments, braces, gussets, or other structural items which interfere with the installation. It is the installer's responsibility to allow for these running changes without sacrificing the structural integrity of the anti-sway bar. Failure to securely fasten the anti-sway bar could result in property damage,

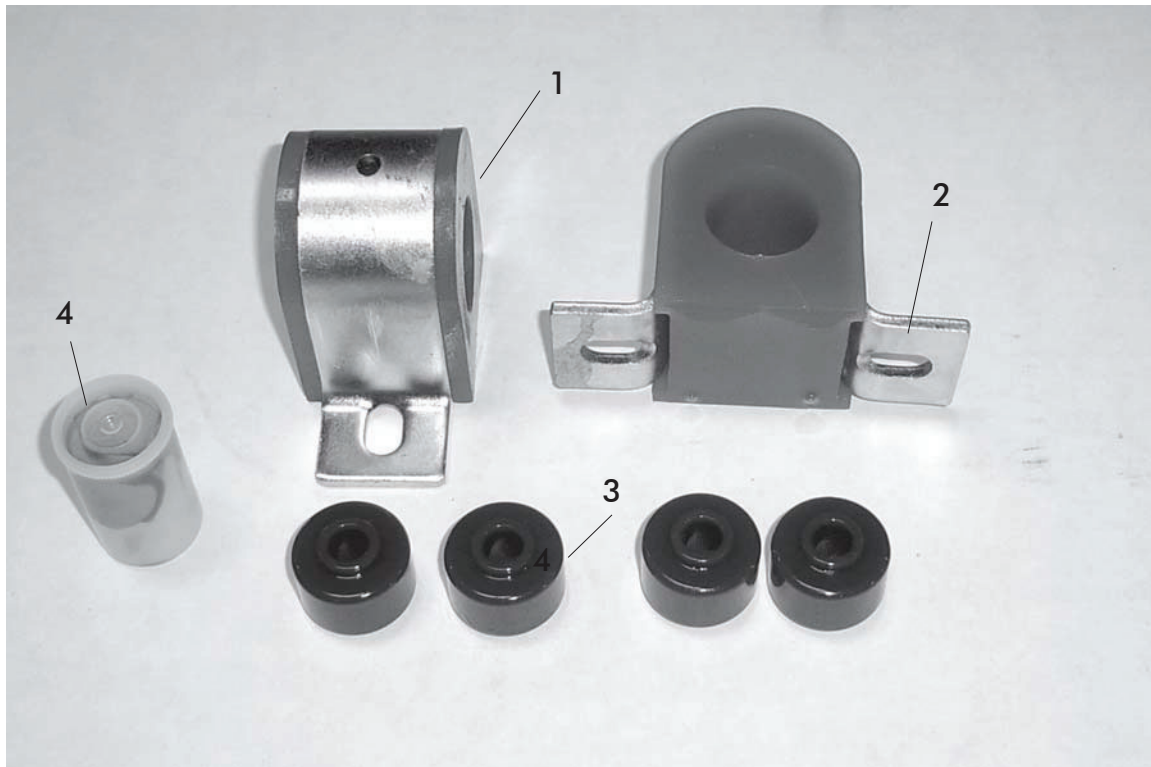
personal injury or even death.

- ROADMASTER will not be responsible for any damage or injury resulting from any modification or alteration.
- Check ALL the fasteners for tightness before and after road testing the vehicle.
- Do not use this document for custom fabrication, as it may not show all parts or structural components.
- Do not use an air impact wrench when re-installing bolts, as stripped threads may result.
- This anti-sway bar is only warranted for the original installation. Installing a used anti-sway bar on another vehicle is not recommended and will void the warranty.

WARNING

Failure to follow these instructions can result in property damage, personal injury or even death.

PARTS LIST



Part #590052-00/590053-00

Part #	Description	Qty
1 205221-10	Poly Bushing Split	2
2 B140	Bracket	8
3 205393-00	Bushing Grommet	4
4 400011-30	Aqualube Grease	1

INSTALLATION

The following instructions must be followed in the order listed to ensure a proper installation and to preserve the ROADMASTER warranty.

1. Start by removing the factory bushing clamps located on the frame. Then, rotate the bar towards the ground to remove the top nut on the end links.
2. Remove the top nut on both end links and remove the anti-sway bar (keep the factory cup washers).

WARNING

The anti-sway bar is heavy, and may cause property damage or personal injury if it falls on equipment, engine components or any part of your body. Ensure that the anti-sway bar is supported and that you are out of the way when removing the brackets.

Failure to follow these instructions may cause property damage, personal injury or even death.

3. **Prepare the new bushings.**
Applying the provided grease to the inside of the new bushings (Figure 1).
4. **Reinstall the anti-sway bar**
Reassemble the endlinks, tighten (Figure 2). Then, replace the factory bushings with the new bushings and clamps (Figure 3).
6. **Tighten all the fasteners.**
7. **Test drive the vehicle.**
Drive the vehicle and then carefully check all the fasteners for proper tightness.

WARNING

The anti-sway bar is not a load-bearing component

Do not tow or hoist the vehicle using the anti-sway bar or its mounting brackets as attachment points. The anti-sway bar is not designed to carry the weight of the vehicle and may collapse, which will damage the anti-sway bar components, the suspension, or other components. The vehicle will detach or fall, which may cause severe personal injury.

Failure to follow these instructions may result in property damage, personal injury or even death.

Figure 1

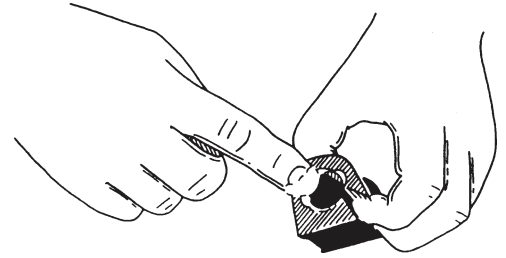


Figure 2

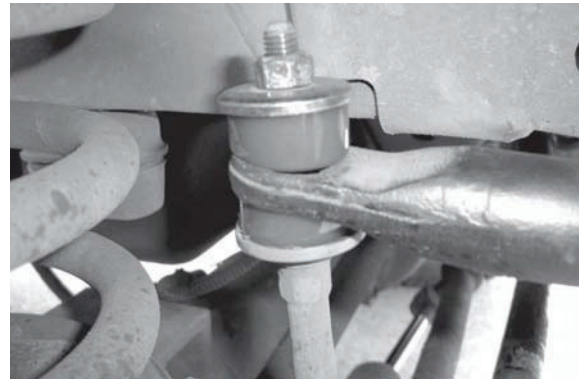


Figure 3

